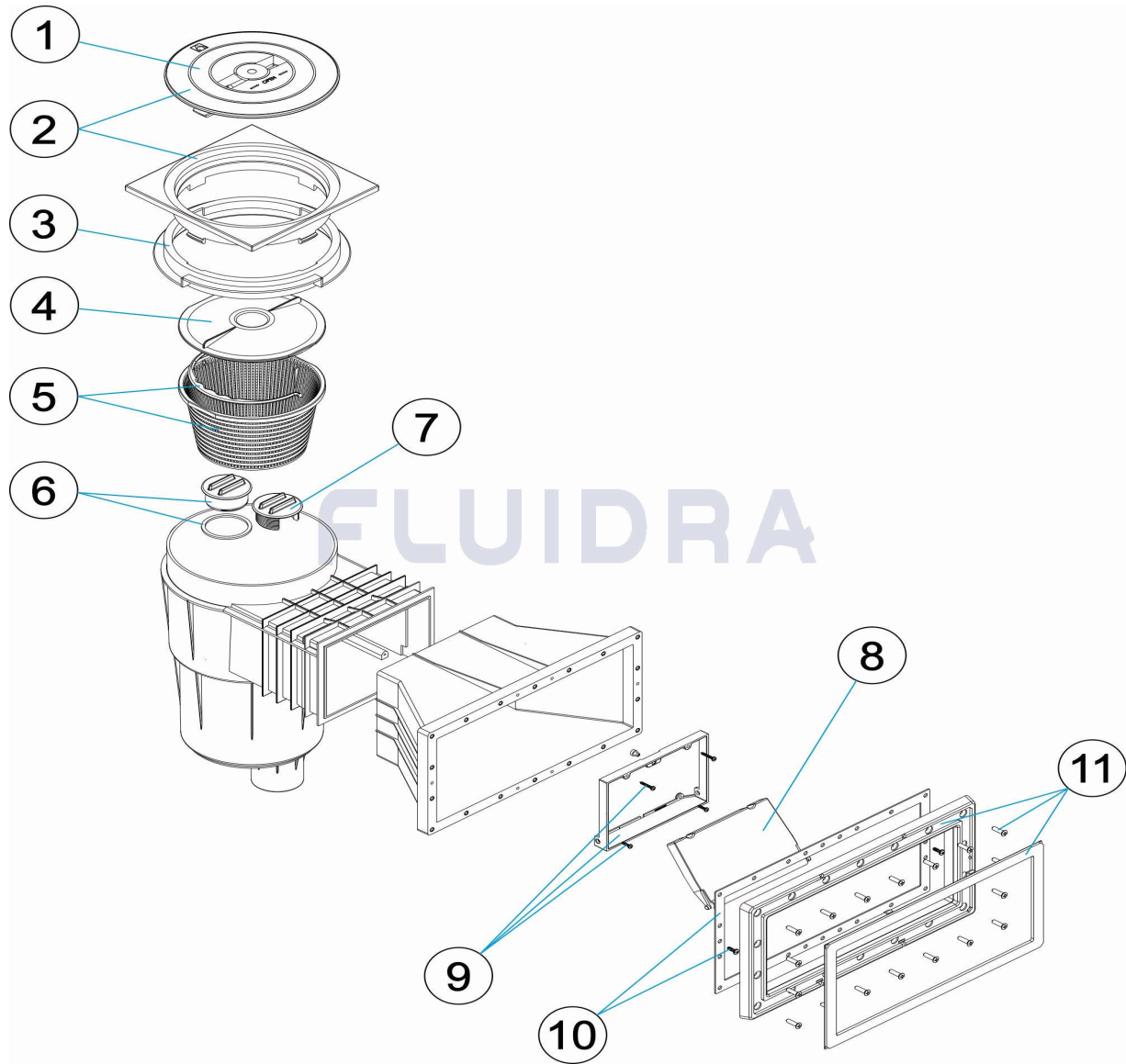


CODE 11311, 11311CL090, 11311CL129, 11311CL144

DESCRIPTION: SKIMMER 17.5L PP WIDE MOUTH SQUARE COVER



ENGLISH

POS	CODE	DESCRIPTION	QUANTITY	POS	CODE	DESCRIPTION	QUANTITY
1	* 4402010509	SKIMMER LID		7	4402010502	REGULATING PLUG	
1	* 4402010064	SKIMMER LID		8	* 4402010501	SKIMMER FLAP	
1	* 4402010066	SKIMMER LID		8	* 4402010076	SKIMMER FLAP	
1	* 4402010041	SKIMMER LID		8	* 4402010079	SKIMMER FLAP	
2	* 4402010510	SQUARE RIM AND LID		8	* 4402010080	SKIMMER FLAP	
2	* 05280-0700CL090	SQUARE RIM AND LID		9	* 4402010508	FLAP FRAME	
2	* 05280-0700CL129	SQUARE RIM AND LID		9	* 4402010119	FLAP FRAME	
2	* 05280-0700CL144	SQUARE RIM AND LID		9	* 4402010120	FLAP FRAME	
3	* 4402010506	COLLAR EXTENSION RING		9	* 4402010042	FLAP FRAME	
3	* 4402010073	COLLAR EXTENSION RING		10	4402014101	LINER POOL GASKET	
3	* 4402010075	COLLAR EXTENSION RING		11	* 4402010408	SKIMMER FRAME FOR LINER	
3	* 4402010039	COLLAR EXTENSION RING		11	* 4402010100	SKIMMER FRAME FOR LINER	
4	4402010505	VACUUM PLATE		11	* 4402010125	SKIMMER FRAME FOR LINER	

* SEE OBSERVATIONS SHEET

CODE **11311, 11311CL090, 11311CL129, 11311CL144**

DESCRIPTION: **SKIMMER 17.5L PP WIDE MOUTH SQUARE COVER**

5	4402010504	BASKET 17,5 LITRES	11	* 4402010124	SKIMMER FRAME FOR LINER
6	4402010503	BLANKING PLUG AND 'O' RING			