

# NOVAIR

SUBMERGED AERATOR FOR SMALL WASTE WATER TREATMENT SYSTEMS





### TECHNICAL DATA

**Operating range:** air delivery 2 - 17 m<sup>3</sup>/h for depths from 20 – 90 cm

**Protection level:** IP68

**Insulating class:** F

**Liquid temperature range:** from 0 °C to 35 °C according to EN 60335-2-41 standard for domestic use.

**Minimum immersion depth:** 20 cm

**Maximum immersion depth:** 80cm (Novair 200) 90cm (Novair 600)

**Liquid quality requirements:** sewage from septic tank fibre-less and free from solids, and clear water.

**Standard voltage:** single-phase: 220 – 240 V/ 50 Hz

**Power cable:** H07RNF8-F di 2 mt, 5mt e 10 mt and SCHUKO plug available.

**Installation:** Vertical

### APPLICATIONS

The submerged aerator is designed for liquid waste aeration in small water treatment systems. Other fields of application include pond water oxygenation and fish farms.

### ADVANTAGES

Thanks to its specific design, the new NOVAIR system guarantees optimal oxygenation of water treatment plants by means of a large and thick cloud of fine bubbles. The fluid dynamics study has been mainly focused on the impeller's blade profiles, with a view to avoid damaging microorganisms present in the water when starting operation. As the aerator is installed vertically, its body is supplied with a supporting base.

Technically speaking, motor cooling is guaranteed by large contact surfaces between motor casing and the liquid. The power cable is coated with resin against humidity and leaks and cabling has been made easier, in order to favour maintenance operations and cable replacement. The excellent wear resistance of the stainless steel motor shaft, with ceramic bush around the sealing rings, guarantees long product durability.

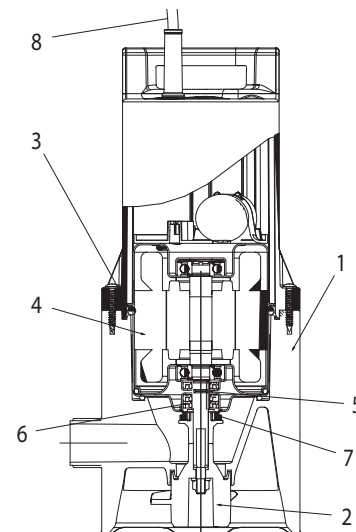
### CONSTRUCTION FEATURES

Pump body, cable cover and impeller in technopolymer. Two-pole asynchronous submergible type motor from 0.18 and 0.4 kW with built-in thermal protection and permanently connected capacitor installed in the cable compartment. Steel motor shaft mounted on oversized, greased sealed-for-life ball bearings with ceramic bush. Triple interposed ring seal with oil pre-chambercon precamera d'olio.

### MATERIALS

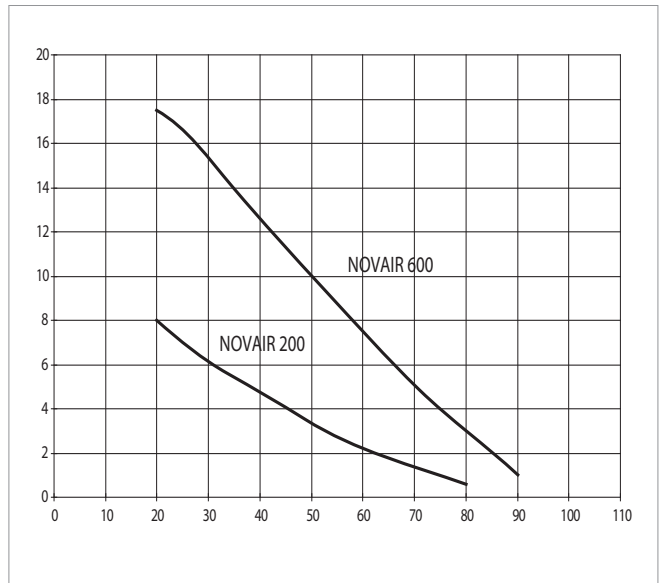
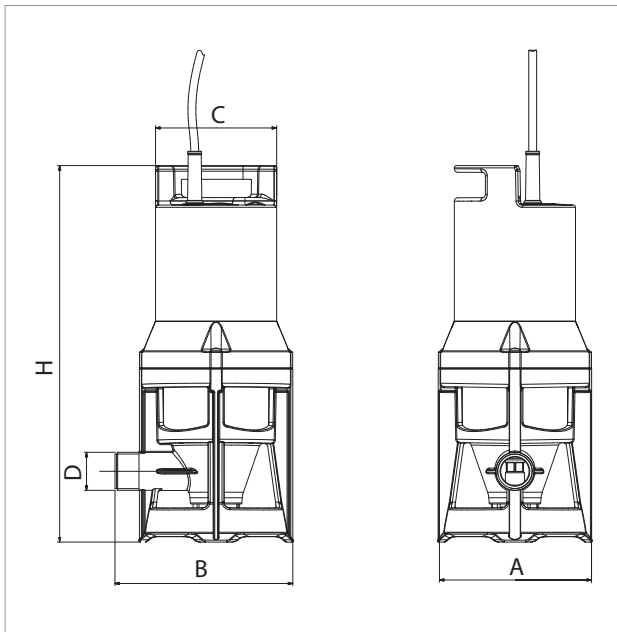
N°	PARTS *	MATERIALS
1	PUMP BODY	TECHNOPOLYMER
2	IMPELLER	TECHNOPOLYMER
3	O-ring SEAL	NBR 70
4	MOTOR CASING	AISI 304
	SHAFT	AISI 416
5	CERAMIC BUSH	AISI 303 + CERAMIC
6	RADIAL SEAL	NBR 70
7	V-RING	NBR 70 + GRASSO
8	CABLE	H07RN8-F

\* In contact with the liquid.



# NOVAIR - SUBMERGED AERATOR FOR SMALL WASTE WATER TREATMENT SYSTEMS

Liquid temperature range: da 0 °C a 35 °C according to EN 60335-2-41 standard for domestic use.



The performance curves are based on kinematic viscosity values = 1 mm<sup>2</sup>/s and density equivalent to 1000 kg/m<sup>3</sup>. Tolerance of curves to ISO 9906.

MODEL	ELECTRICAL DATA					AIR DELIVERY MAX m <sup>3</sup> /h
	VOLTAGE 50 Hz	P1 MAX kW	P2 NOMINAL		In A	
			kW	HP		
NOVAIR 200 M-NA	1X220- 240 V~	0,28	0,18	0,24	1,4	8
NOVAIR 600 M-NA	1X220- 240 V~	0,63	0,40	0,54	3	17,5

MODEL	H	A	B	Ø C	D G NPT	PACK DIMENSIONS			CABLE	VOLUME (mc)	WEIGHT Kg
						L/A	L/B	H			
NOVAIR 200	329,5	130,5	158	106	1"	190	255	308	2 mt / HO7RN8-F	0,015	3,5
									5 mt / HO7RN8-F		
									10 mt / HO7RN8-F		
NOVAIR 600	380,2	130,5	158	106	1" ¼	190	255	419	2 mt / HO7RN8-F	0,015	5,4
									5 mt / HO7RN8-F		
									10 mt / HO7RN8-F		

# DNA<sup>®</sup>

PUMPS SELECTOR



## On-line selection tool



**DAB PUMPS LTD.**

Unit 4 and 5, Stortford Hall Industrial Park,  
Dunmow Road,  
Bishops Stortford,  
Herts  
CM23 5GZ - UK  
salesuk@dwtgroup.com  
Tel. +44 1279 652 776  
Fax +44 1279 657 727



**DAB PUMPS IBERICA S.L.**

Avenida de Castilla nr.1 Local 14  
28830 - San Fernando De Henares - Madrid  
Spain  
info.spain@dwtgroup.com  
Tel. +34 91 6569545  
Fax: +34 91 6569676



**DAB PUMPS INC.**

3226 Benchmark Drive  
Ladson, SC 29456 - USA  
info.usa@dwtgroup.com  
Tel. 1-843-824-6332  
Toll Free 1-866-896-4DAB (4322)  
Fax 1-843-797-3366



**DAB PUMPS B.V.**

Brusselstraat 150  
B-1702 Groot-Bijgaarden - Belgium  
info.belgium@dwtgroup.com  
Tel. +32 2 4668353  
Fax +32 2 4669218



**DAB PRODUCTION HUNGARY KFT.**

H-8800  
Nagykanizsa, Buda Ernő u.5  
Hungary  
Tel. +36 93501700



**DWT SOUTH AFRICA**

Podium at Menlyn,  
3rd Floor, Unit 3001b, 43 Ingersol Road,  
C/O Lois and Atterbury street,  
Menlyn, Pretoria, 0181 - South-Africa  
info.sa@dwtgroup.com  
Tel. +27 12 361 3997  
Fax +27 12 361 3137



**DAB PUMPS B.V.**

Albert Einsteinweg, 4  
5151 DL Drunen - Nederland  
info.netherlands@dwtgroup.com  
Tel. +31 416 387280  
Fax +31 416 387299



**DAB PUMPS POLAND Sp. z o.o.**

Mokotow Marynarska  
ul. Postępu 15C  
02-676 Warszawa - Poland  
Tel. +48 223 81 6085



**DAB PUMPS CHINA**

No.40 Kaituo Road, Qingdao Economic & Technological  
Development Zone  
Qingdao City, Shandong Province - China  
PC: 266500  
info.china@dwtgroup.com  
Tel. +8653286812030-6270  
Fax +8653286812210



**DAB UKRAINE Representative Office**

Regus Horizon Park  
4 M. Hrinchenka St, suit 147  
03680 Kiev - Ukraine  
Tel. +38 044 391 59 43



**DAB PUMPEN DEUTSCHLAND GmbH**

Tackweg 11  
D - 47918 Tönisvorst - Germany  
info.germany@dwtgroup.com  
Tel. +49 2151 82136-0  
Fax +49 2151 82136-36



**OOO DWT GROUP**

Novgorodskaya str, 1, bld G, office 308  
127576 Moscow - Russia  
info.russia@dwtgroup.com  
Tel. +7 495 122 00 35  
Fax +7 495 122 00 36



**DAB PUMPS DE MÉXICO, S.A. DE C.V.**

Av Gral Álvaro Obregón 270, oficina 355  
Hipódromo, Cuauhtémoc 06100  
México, D.F.  
Tel. +52 55 6719 0493