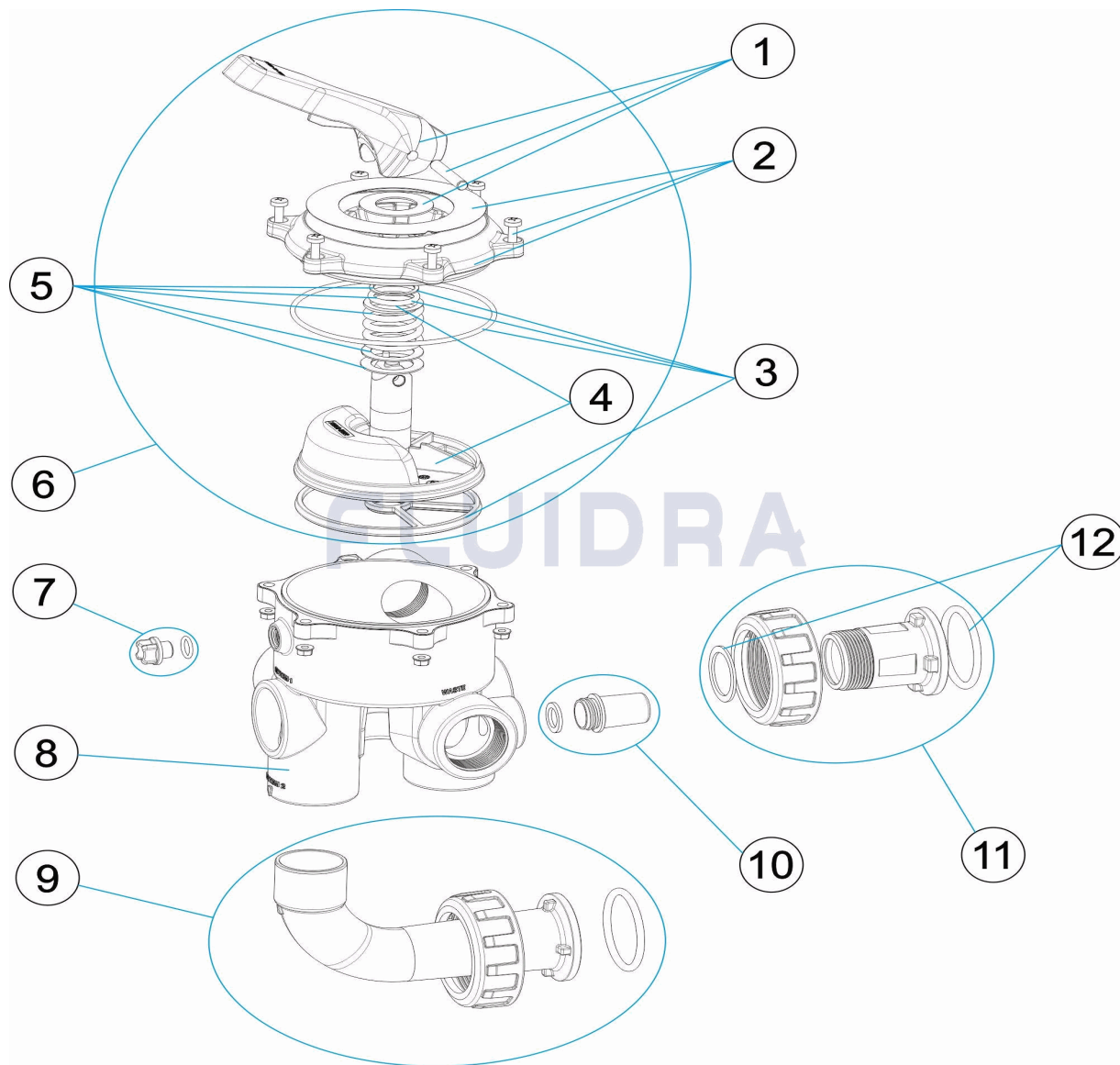


CODIGO **73950**

DESCRIPCION: **VALVULA SELECTORA CON ENLACES 1 ½"**

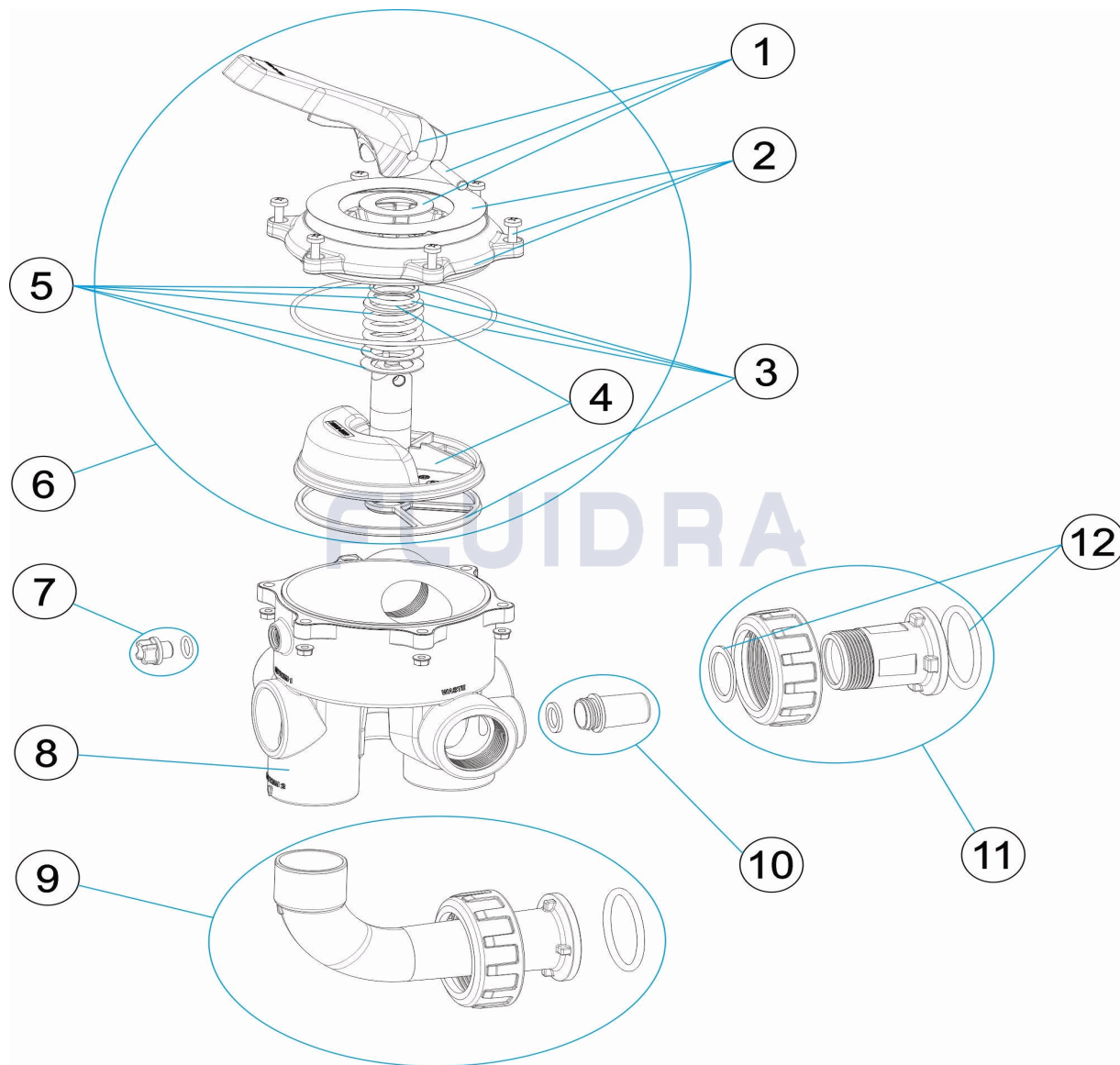


**ESPAÑOL**

POS	CODIGO	DESCRIPCION	CANTIDAD	POS	CODIGO	DESCRIPCION	CANTIDAD
1	4404120018	MANETA ½" NEGRA NEUTR "		7	4404121107	TAPON ¼" VALVULA	
2	4404120095	TAPA VALVULA SELECTORA 1 ½"		8	4404120099	CUERPO INFERIOR	
3	4404120096	JUNTAS VALVULA 1 ½"		9	4404120100	ENLACE ACODADO NEGRO 1 ½"	
4	4404120097	DISTRIBUIDOR CON JUNTA		10	4404120113	VISOR CON JUNTA	
5	4404121103	RESORTE VALVULA		11	4404120114	ENLACE RECTO 1 ½"	
6	4404120098	CJTO. SUPERIOR 1 ½"		12	4404120205	JUNTAS ENLACE 1 ½"	

CODE 73950

DESCRIPTION: SÉLECTEUR AVEC LIENS 1 1/2"

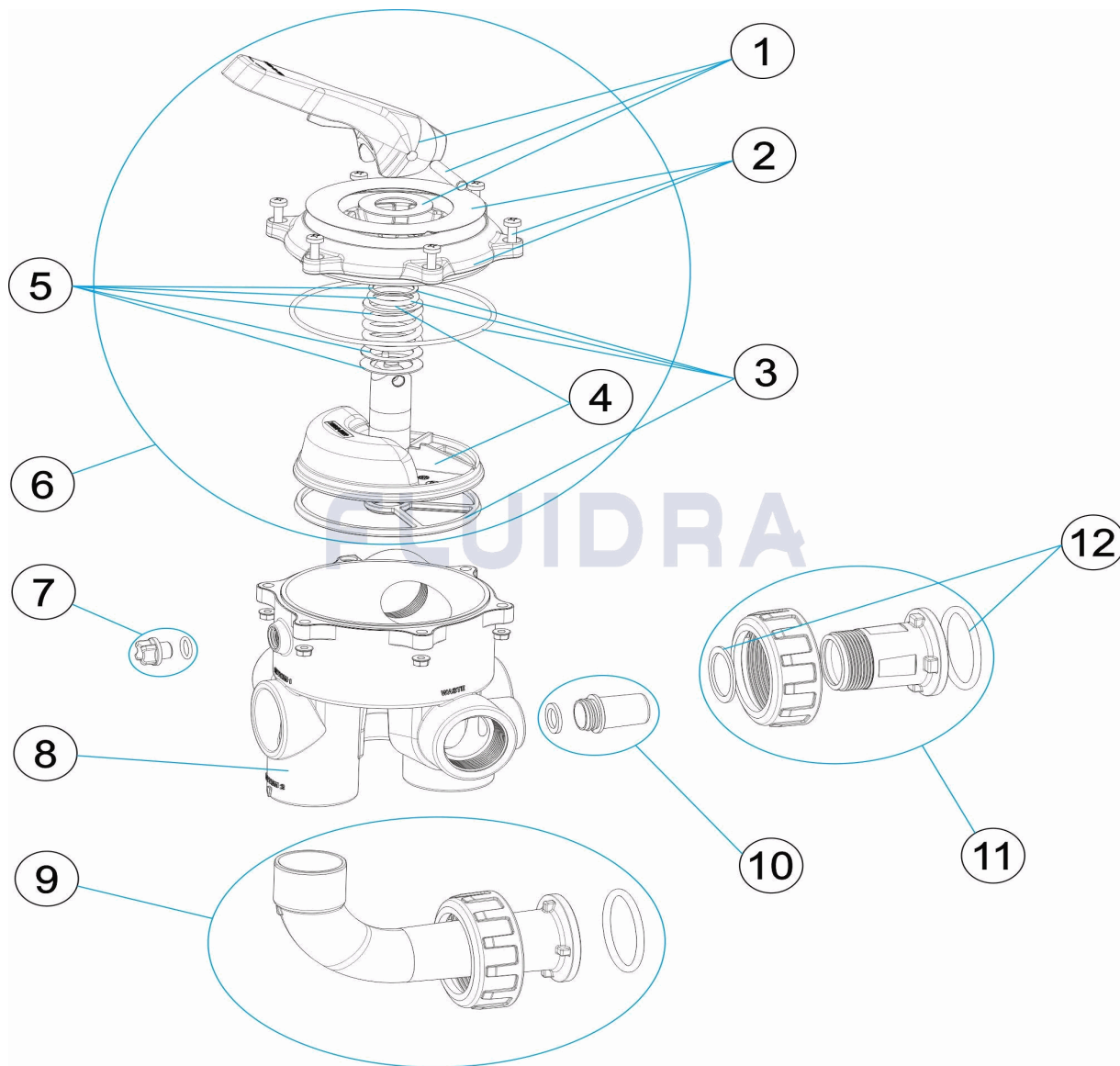


FRANCAIS

POS	CODE	DESCRIPTION	QUANTITE	POS	CODE	DESCRIPTION	QUANTITE
1	4404120018	POIGNEE 1 1/2" NOI "		7	4404121107	BOUCHON 1/4" DE VANNE	
2	4404120095	DESSUS DE VANNE 1 1/2"		8	4404120099	CORPS INFERIEUR	
3	4404120096	JOINTS VANNE 1 1/2'		9	4404120100	SORTIE COUDEE NOIRE 1 1/2"	
4	4404120097	BOISSEAU AVEC JOINT		10	4404120113	VOYANT ET JOINT	
5	4404121103	RESSORT DE VANNE		11	4404120114	SORTIE DROITE 1 1/2'	
6	4404120098	ENSEMBLE SUPERIEUR 1 1/2"		12	4404120205	JOINTS DE SORTIES 1 1/2'	

CODE **73950**

DESCRIPTION: **SELECTOR VALVE WITH LINKS 1 1/2"**

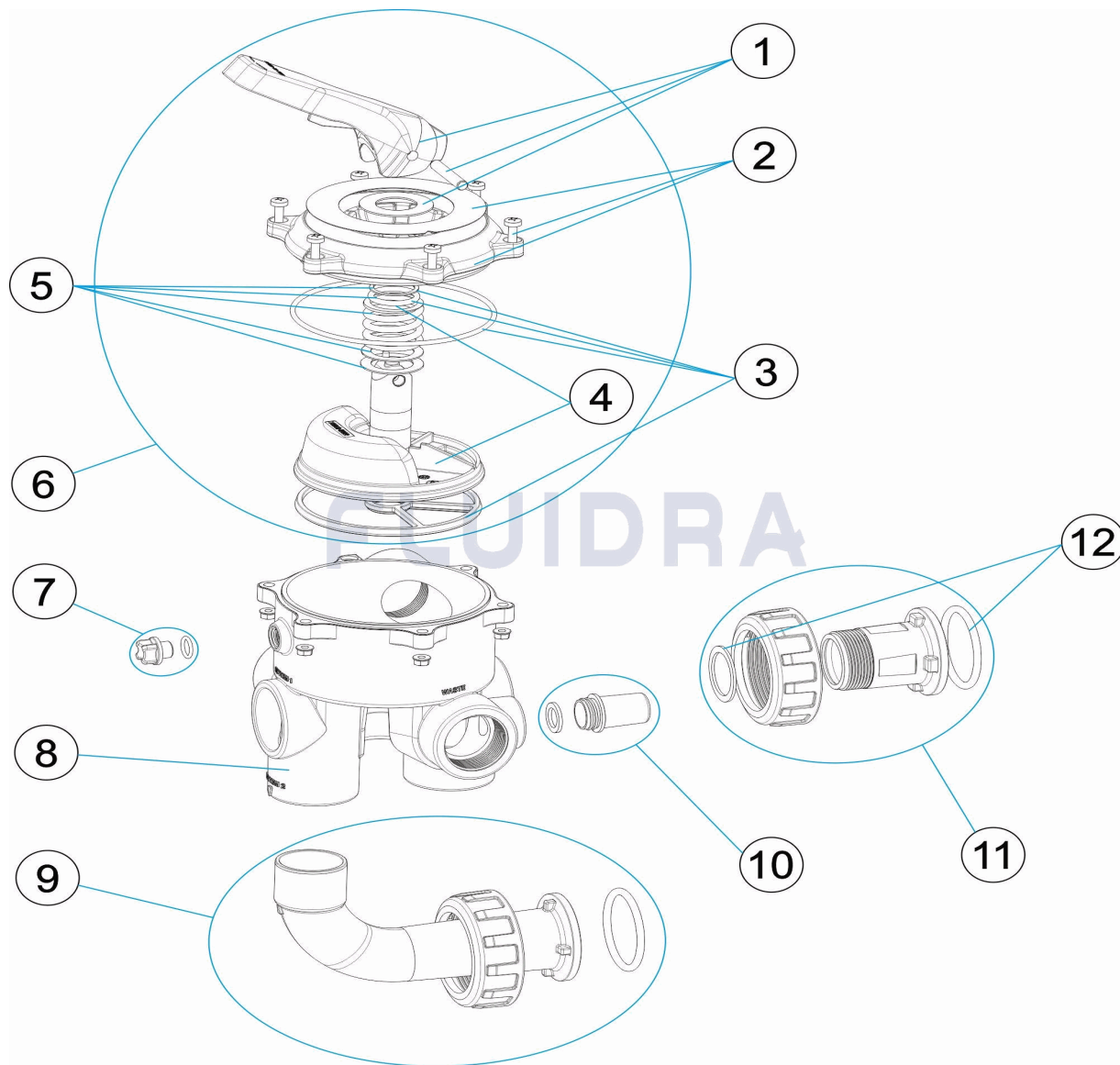


**ENGLISH**

POS	CODE	DESCRIPTION	QUANTITY	POS	CODE	DESCRIPTION	QUANTITY
1	4404120018	HANDLE 1 1/2" BLAC "		7	4404121107	PLUG 1/4'	
2	4404120095	COVERS SELECTOR VALVE 1 1/2"		8	4404120099	LOWER BODY	
3	4404120096	GASKETS 1 1/2'		9	4404120100	ELBOW BLACK 1 1/2"	
4	4404120097	DISTRIBUTOR WITH GASKETS		10	4404120113	VISOR WITH SEAL	
5	4404121103	SPRING		11	4404120114	UNION 1 1/2'	
6	4404120098	UPPER PART 1 1/2" CLOSING		12	4404120205	UNION SEALS 1 1/2'	

CODICE **73950**

DESCRIZIONE: **VALVOLA SELETTORIE CON COLLEGAMENTI 1 1/2"**

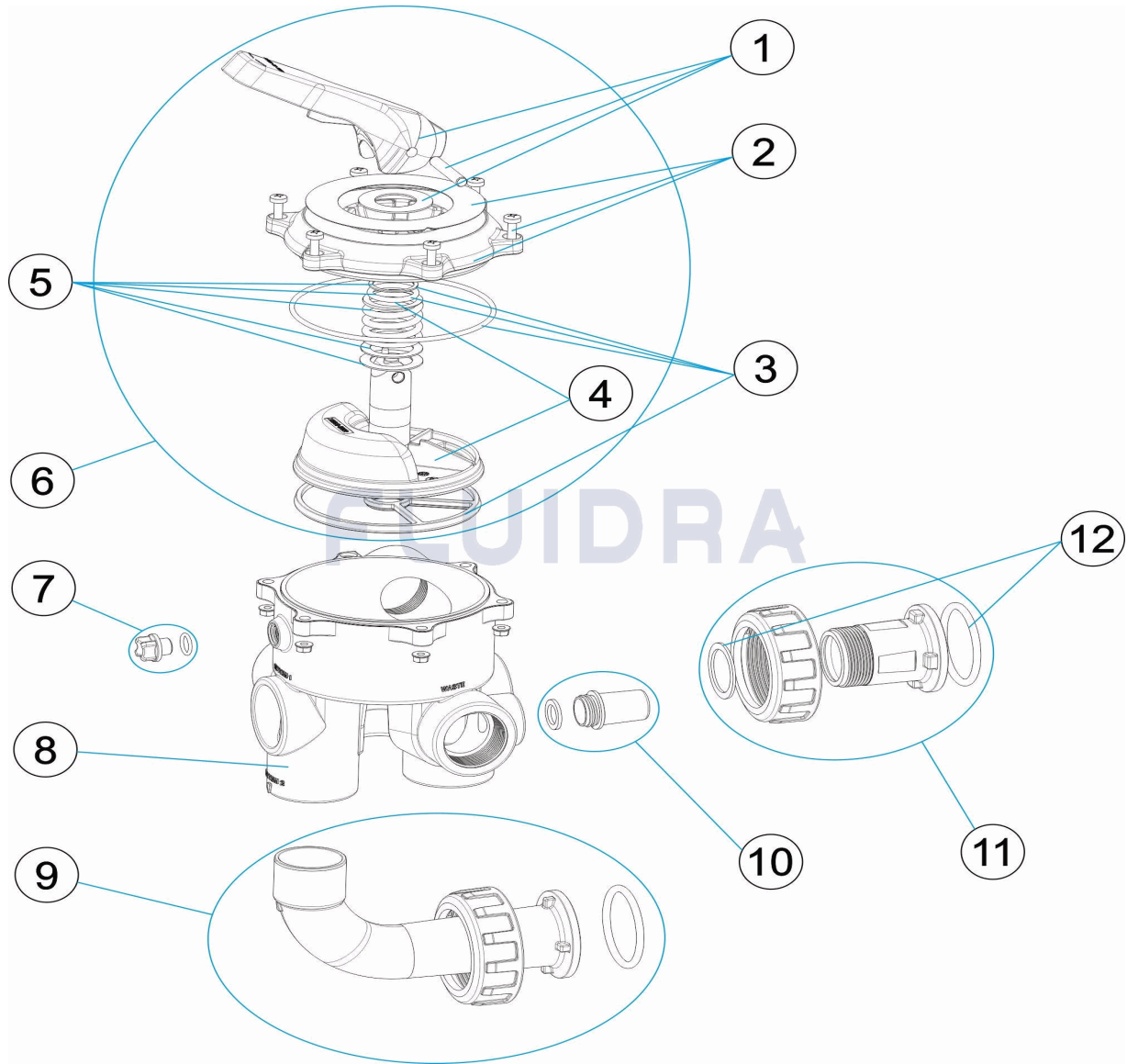


**ITALIANO**

POS	CODICE	DESCRIZIONE	QUANTITA'	POS	CODICE	DESCRIZIONE	QUANTITA'
1	4404120018	MANIGLIA 1 1/2" NER "		7	4404121107	COPERCHIO 1/4' VALVOLA	
2	4404120095	COPERCHIO VALVOLA 1 1/2"		8	4404120099	CORPO INFERIORE	
3	4404120096	GUARNIZIONI VALVOLA 1 1/2'		9	4404120100	RACCORDO A GOMITO NERO 1 1/2"	
4	4404120097	DISTRIBUTORE CON GUARNIZIONE		10	4404120113	VISORE CON GUARNIZIONE	
5	4404121103	MOLLA VALVOLA		11	4404120114	RACCORDO DIRITTO 1 1/2'	
6	4404120098	KIT SUPERIORE DA 1 1/2"		12	4404120205	GUARNIZIONE PER RACCORDO 1 1/2'	

CODE 73950

BESCHREIBUNG: MEHRWEGVENTIL MIT ANSCHLÜSSEN 1 1/2"

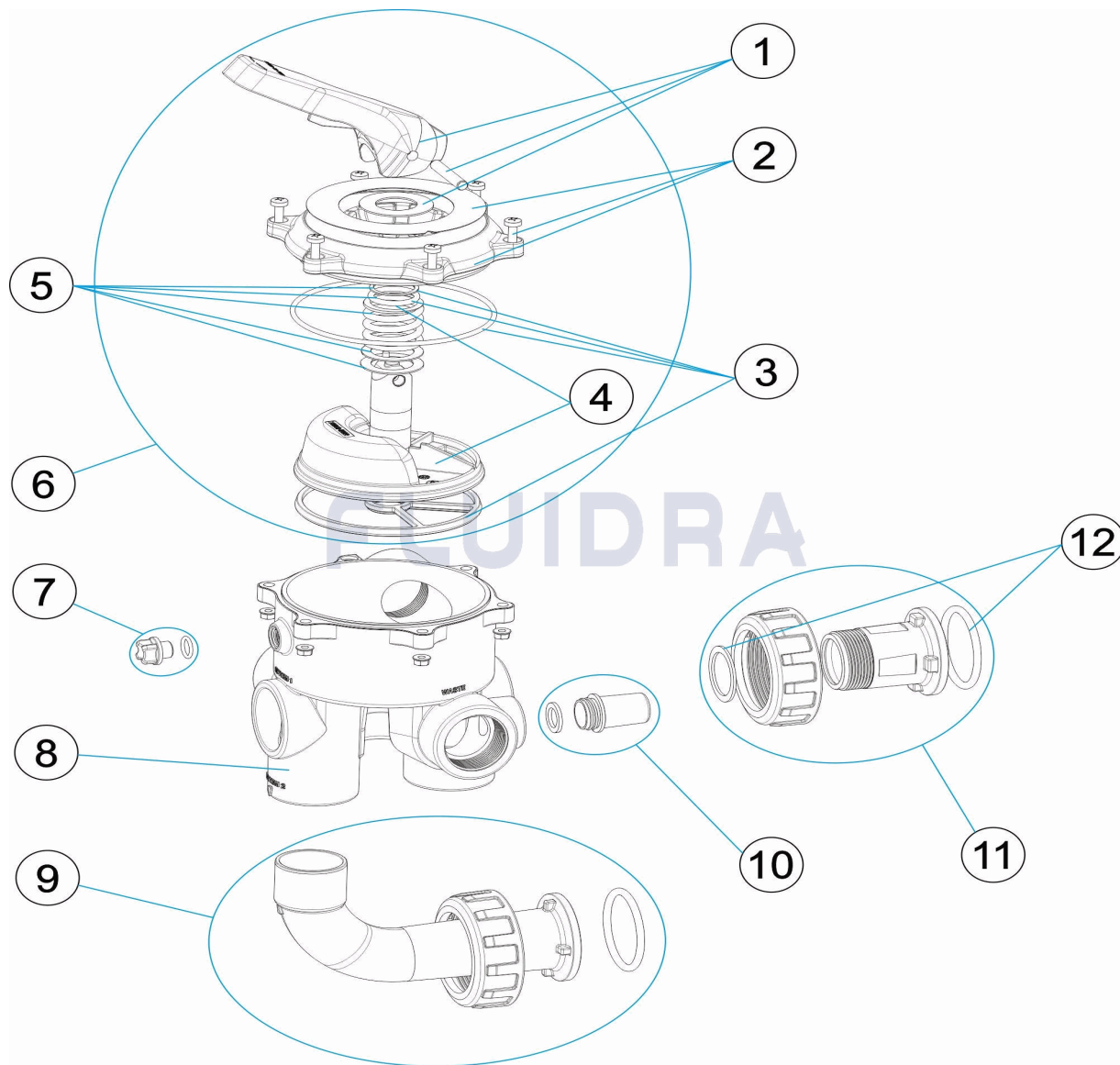


DEUTSCH

POS	CODE	BESCHREIBUNG	MENGE	POS	CODE	BESCHREIBUNG	MENGE
1	4404120018	GRIFF 1/2" SCHWARZ NEUTRA "		7	4404121107	STOPFEN 1/4' VENTIL	
2	4404120095	ABDECKUNG MEHRWEGVENTIL 1 1/2"		8	4404120099	UNTERES GEHÄUSE	
3	4404120096	VENTILDICHTUNGEN 1 1/2'		9	4404120100	ANSCHLUSSWINKEL SCHWARZ 1 1/2"	
4	4404120097	VERTEILER UND DICHTUNG		10	4404120113	SCHAUGLAS UND DICHTUNG	
5	4404121103	VENTILFEDER		11	4404120114	ANSCHLUSS GERADE 1 1/2'	
6	4404120098	SET OBEN 1 1/2"		12	4404120205	DICHTUNGEN ANSCHLUSS 1 1/2'	

CODIGO **73950**

DESCRIÇÃO: **VÁLVULA SELECTORA COM LIGAÇÕES 1 ½"**



**PORTUGUES**

POS	CODIGO	DESCRIÇÃO	JANTIDADE	POS	CODIGO	DESCRIÇÃO	JANTIDADE
1	4404120018	MANIPULO 1 1/2" PRET "		7	4404121107	TAMPÃO 1/4" VÁLVULA	
2	4404120095	TAMPA VALVULA 1 1/2"		8	4404120099	CORPO INFERIOR	
3	4404120096	JUNTAS VÁLVULA 1 1/2'		9	4404120100	LIGAÇÃO CURVA PRETA 1 ½"	
4	4404120097	DISTRIBUIDORCOM JUNTA		10	4404120113	VISOR COM JUNTA	
5	4404121103	TAMPA PARAFUSOS		11	4404120114	LIGAÇÃO RECTA 1 1/2'	
6	4404120098	CJTO. SUPERIOR 1 ½"		12	4404120205	JUNTAS LIGAÇÃO 1 1/2'	