

NEXAUTO1090519MAN

UK
English

EVOLUTION
AQUA
INNOVATION IN WATER

nexusTM

AUTOMATIC SYSTEM

INSTALLATION AND INSTRUCTION MANUAL

IMPORTANT PLEASE READ:

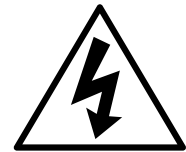
We recommend that all electrical work on your Nexus Automatic System be done by a suitably qualified electrician.

PRIOR TO INSTALLATION - MANUALLY CLEAN YOUR FILTER

WARNING: PLEASE READ THE FOLLOWING SAFETY INFORMATION FIRST.

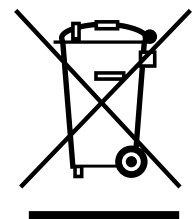
IMPORTANT SAFETY INFORMATION

- All electrical work should be carried out by a suitably qualified electrician.
- Always isolate the unit from mains electricity before carrying out any maintenance.
- Always disconnect all pond appliances from the mains supply before putting your hands into the water.
- Use in the area of the garden pond only if the installation complies with the relevant wiring regulations.
- Power must be supplied through a Residual Current Device (RCD) with a residual operating current not exceeding 30mA.
- This unit must be earthed when earth wire is fitted.
- The unit must not be submerged in water.
- Always hold a component part securely. Never hold any component parts by their wires alone.
- Young children should always be supervised near water.
- The unit must be either fully frost protected or taken inside during Winter months.
- WARNING: The stainless steel Eazy has very sharp edges, take care when handling.



Disposal Of Your Old Product

Your product is designed and manufactured with high quality material and components, which can be recycled and reused. When this crossed-out wheeled bin symbol is attached to a product, it means the product is covered by the European Directive 2002/96/EC. Please contact your local authority about correct disposal for electrical and electronic equipment. Our WEE Registration Number is WEE/FE1471RR.



Please act according to your local rules and do not dispose of your old products with your normal household waste. The correct disposal of your old product will help prevent potential negative consequences for the environment and human health.

INTRODUCING THE NEXUS AUTOMATIC SYSTEM

Thank you for purchasing an Evolution Aqua Nexus Automatic System.

Continuing our long standing reputation for innovation, the Nexus Automatic System now enables Nexus owners to benefit from a fully automated cleaning cycle on their multi award winning Nexus filtration systems. Physically turning ball valves and manually switching pumps on and off will now be a thing of the past thanks to the Nexus Automatic System. All of the key processes that form the cleaning cycle are now controlled automatically with this easy to install kit.

Please read this instruction manual carefully from start to finish before attempting to install your Nexus Automatic System.

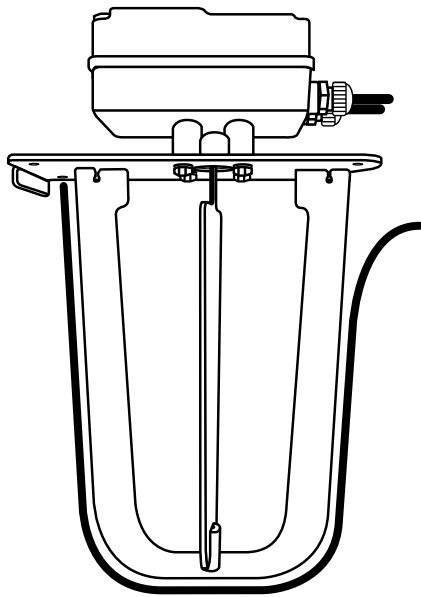
CONTENTS

Parts list	PAGE 04
Installation diagrams	PAGE 06
Advice prior to installation	PAGE 08
Installing the Inlet Valve Assembly	PAGE 10
Fitting the control box	PAGE 12
Fitting the Air Valve Control box	PAGE 14
Connecting air lines	PAGE 16
Installing the Automated Waste Valve	PAGE 18
Operation	PAGE 20
Cleaning principles	PAGE 21
Installing non-return valves	PAGE 22
Guidance for electrical connections	PAGE 23
Cleaning with the Nexus Automatic System	PAGE 24
The cycle timer explained	PAGE 25
Setting the cycle timer	PAGE 26
Commissioning	PAGE 27
Troubleshooting	PAGE 27
Warranty	PAGE 29

NEXUS AUTOMATIC SYSTEM PARTS LIST

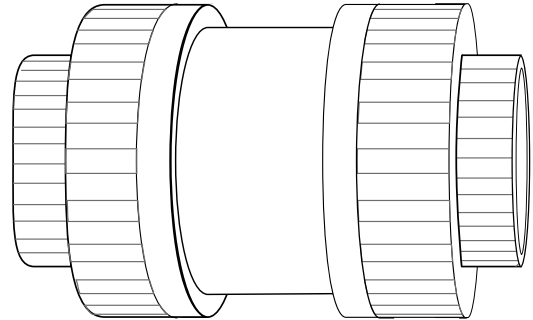
Your Nexus Automatic System comes complete with the following items:

(GRAVITY FED MODELS ONLY)



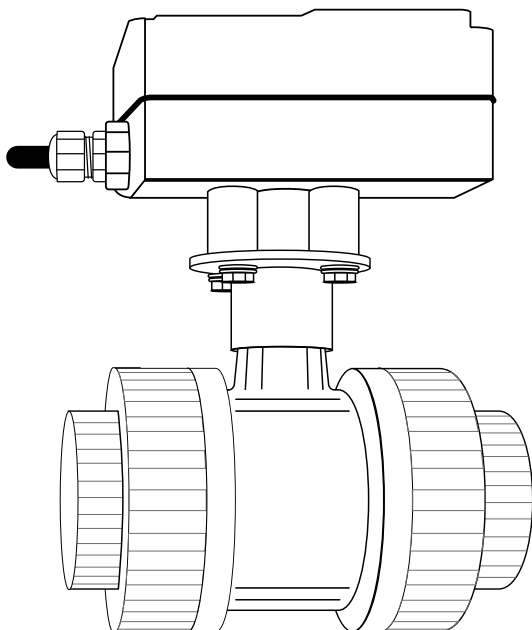
1) Inlet valve assembly + seal (not fitted)
*(Only supplied for **GRAVITY FED** installs, not supplied with Pump Fed models)*

(PUMP FED MODELS ONLY)

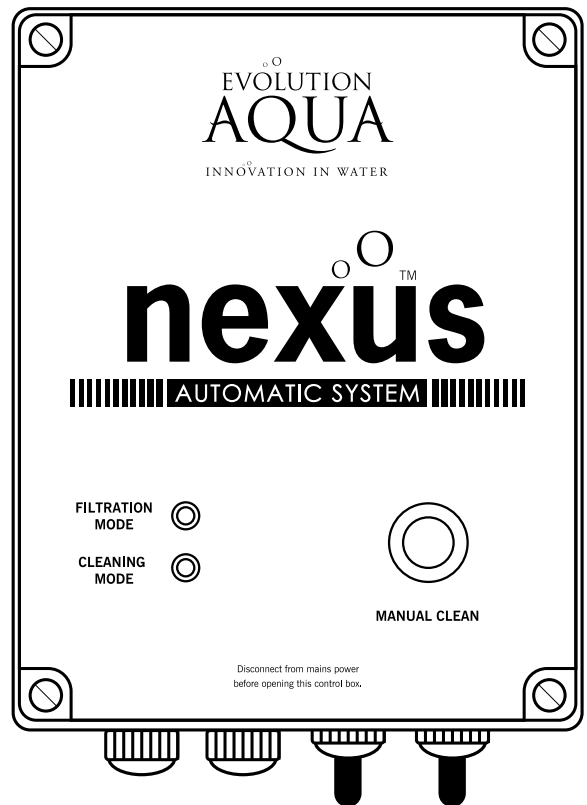


EA CODE: K25-50-100

2) Non-return valve
*(Only supplied for **PUMP FED** installs, not supplied with Gravity Fed models)*



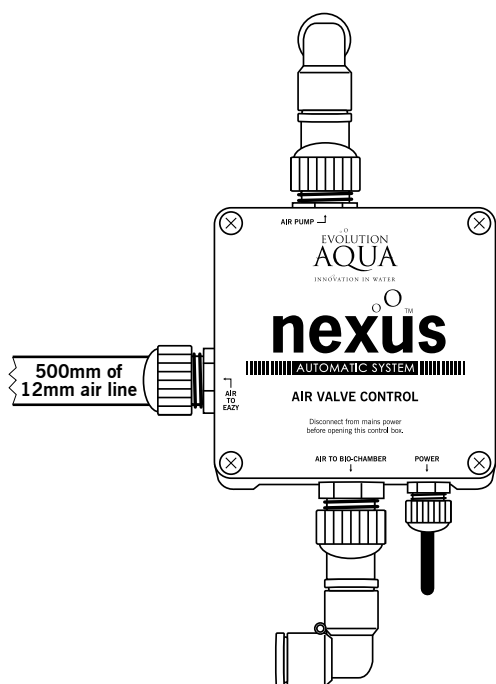
3) Automated waste valve



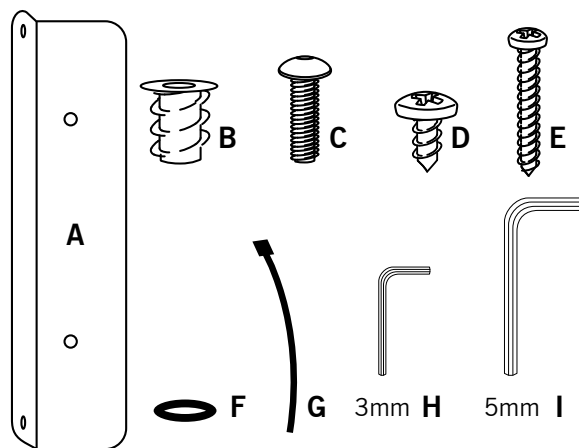
4) Control box

NEXUS AUTOMATIC SYSTEM PARTS LIST

Your Nexus Automatic System comes complete with the following items:



5) Air valve control box & fittings
(Including screws & O-Rings for lid)

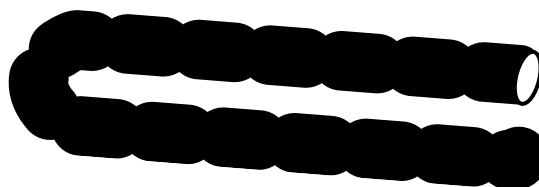


6) Fixing kit (Located inside the cardboard box divider)

- Qty x 1 - Control box mount bracket - A
- Qty x 5 - Fixing screw inserts - B - (Qty x 2 if PUMP FED Model)
- Qty x 5 - Pan head hex socket screws - C - (Qty x 2 if PUMP FED Model)
- Qty x 2 - Pan head self tap box / mount screws (10mm) - D
- Qty x 4 - 25mm air box fixing screws - E
- Qty x 4 - O-Rings for 25mm air box fixing screws - F
- Qty x 4 - Cable ties - G
- Qty x 1 - 3mm allen key - H
- Qty x 1 - 5mm allen key - I



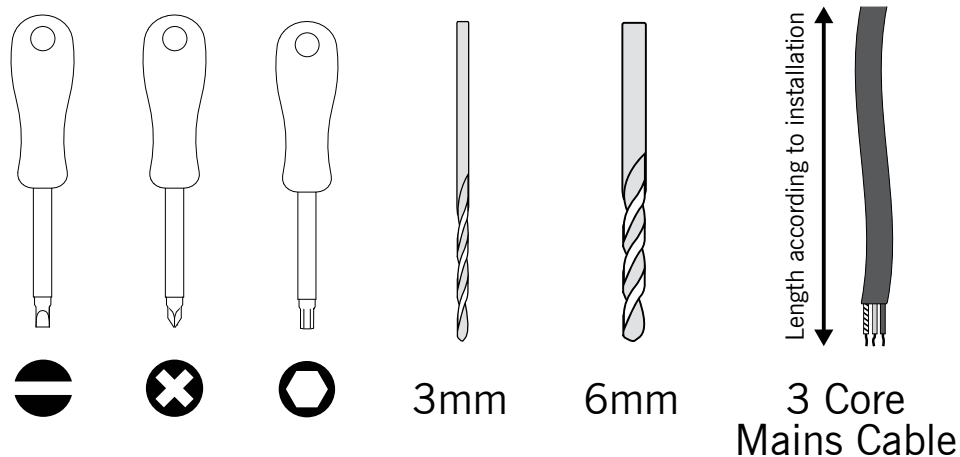
7) Qty x 1 - 500mm air line extension
(For connecting to bio-chamber)



8) 1 metre of flexible cable conduit
(Located inside the cardboard box divider)

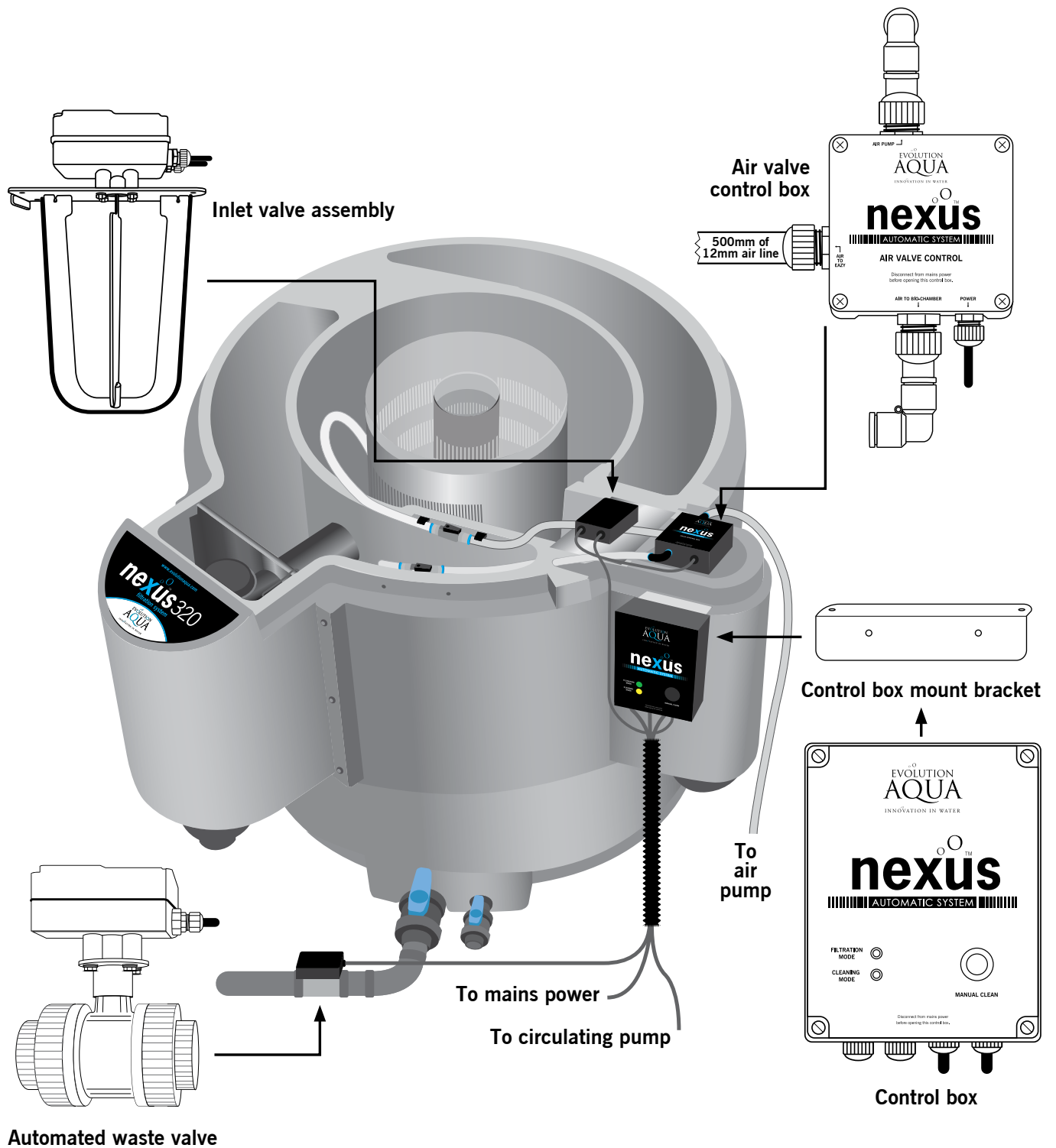
TOOLS NEEDED

You will need to use the following tools to aid installation of the Nexus Automatic System:



NEXUS GRAVITY FED AUTOMATIC SYSTEM INSTALLATION

Illustration below shows the recommended installation of a Nexus Automatic System on a **GRAVITY FED** Nexus 300, 310 or 320 and Nexus 200, 210 or 220 manufactured after 2006:



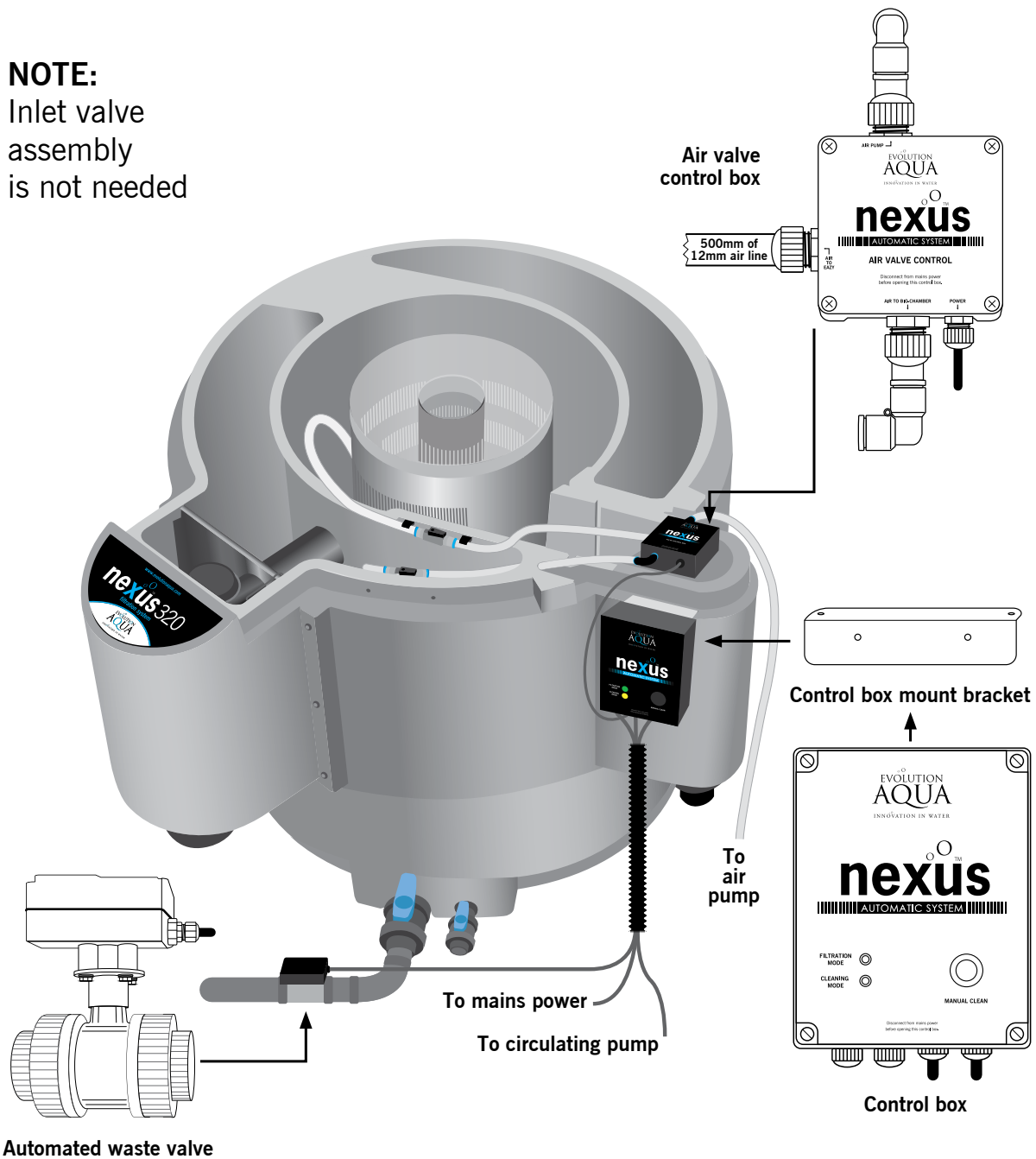
Depending on your installation, it is advisable to fit a non-return valve (not supplied) on your return pipework after the circulating pump. (See page 22)

We recommend that all electric work on your Nexus Automatic System be done by a suitably qualified electrician.

NEXUS PUMP FED AUTOMATIC SYSTEM INSTALLATION

Illustration below shows the recommended installation of a Nexus Automatic System on a **PUMP FED** Nexus 300, 310 or 320 and Nexus 200, 210 or 220 manufactured after 2006:

NOTE:
Inlet valve assembly is not needed



You MUST fit the supplied non-return valve on your inlet pipework after the circulating pump and before the filter. (See page 22 for more details)

We recommend that the pond pump is raised off the bottom of the pond. This will prevent the pond from emptying completely in the event of pump failure.

We recommend that all electric work on your Nexus Automatic System be done by a suitably qualified electrician.

PREPARING YOUR NEXUS PRIOR TO INSTALLING THE NEXUS AUTOMATIC SYSTEM

FOR NEXUS FILTERS ALREADY IN USE:

1. Carry out a normal cleaning cycle on your Nexus

If you have an existing Nexus filter system, currently in use, clean it as you would do normally as part of your maintenance routine prior to installing the Nexus Automatic System.

2. Disconnect your circulating pump from mains power supply

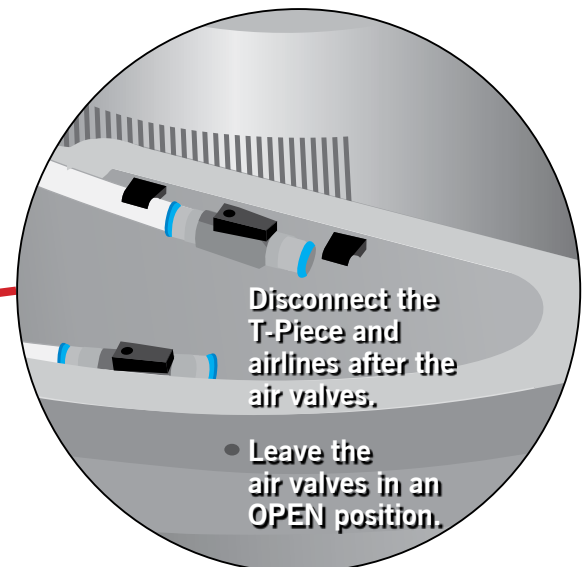
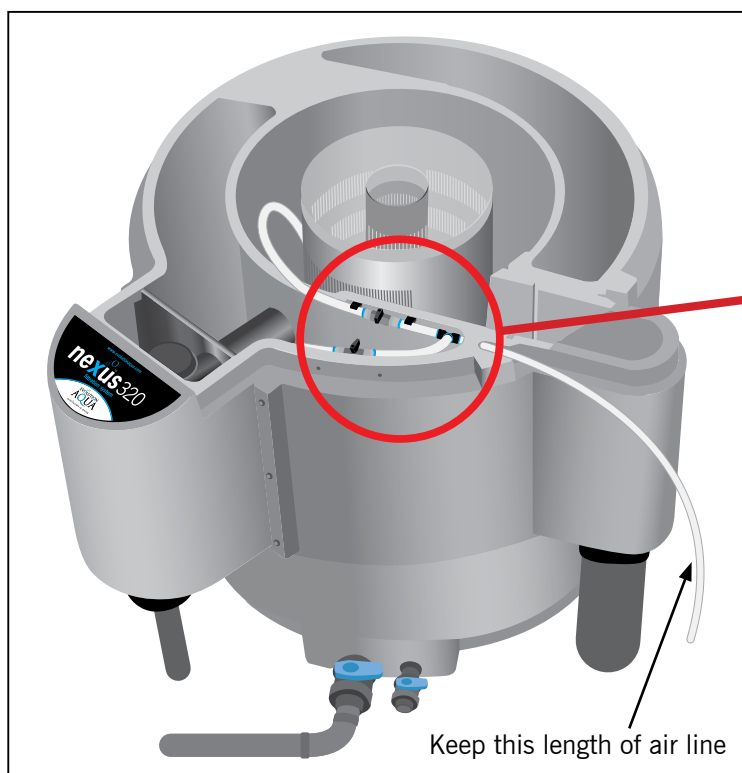
Once the Nexus Automatic is installed, the power supply to the circulating pump will come from the Nexus Automatic Control box rather than being supplied directly from the mains. Turn off and disconnect the pump from the mains supply.

If the circulating pump is connected to a plug, this will need to be cut off to allow for direct connection into the control box.



3. Disconnect part of the air line for the Eazy and Bio-Chamber

Currently, the incoming air lines connected to the Eazy and the Bio-Chamber in your Nexus are diverted via a T-Piece connector and are controlled by Air Valves. You will need to disconnect this T-Piece and the airline up to the valves. We recommend that you leave the Air Valves and Air Lines to the Eazy and Bio-Chamber in place, simply disconnect the T-Piece and leave both Air Valves in the OPEN position at all times. Discard the T-Piece and the 2 small air lines, but keep the air line that connects your pump to the Nexus. This piece is needed for re-installing your air pump.



New air valve assemblies can be ordered from EA:

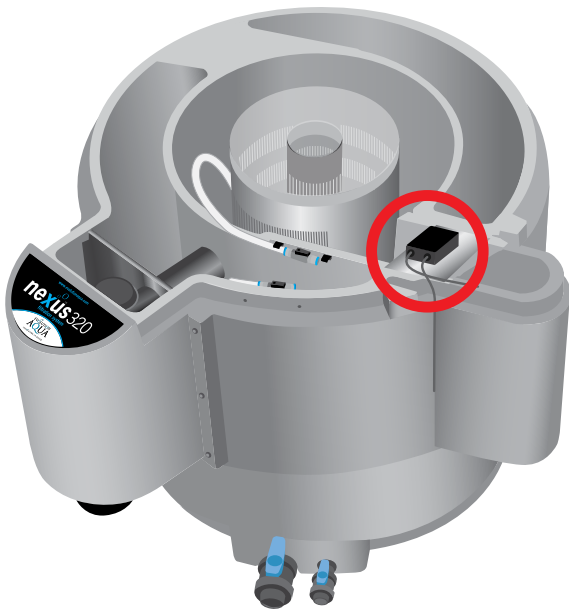
EA CODE	PART DESCRIPTION
1000-085	3/8" Mini Ball Air Valve (F/F)
1000-080	3/8" BSP Male Stud connector

INSTALLING THE NEXUS AUTOMATIC SYSTEM

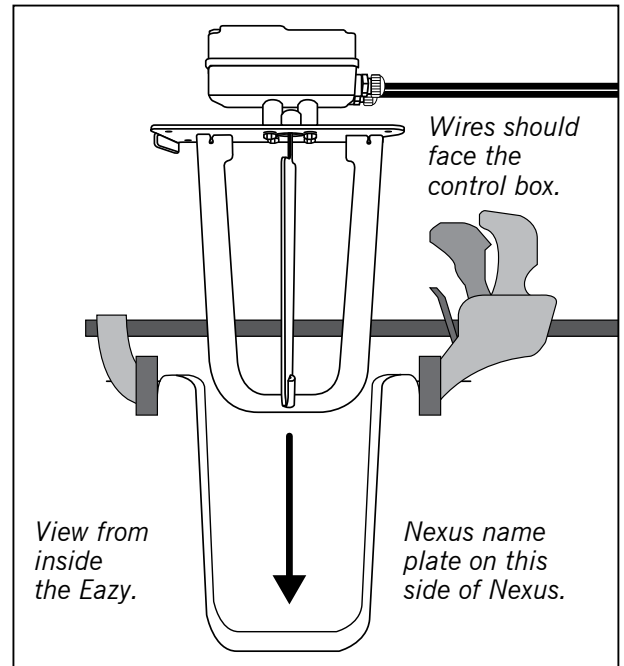
**Some component parts are pre-wired together.
Do not hold any of the component parts by the wires alone.
It is advisable for two people to carry out the installation.**

FITTING THE NEXUS INLET VALVE ASSEMBLY (GRAVITY FED)

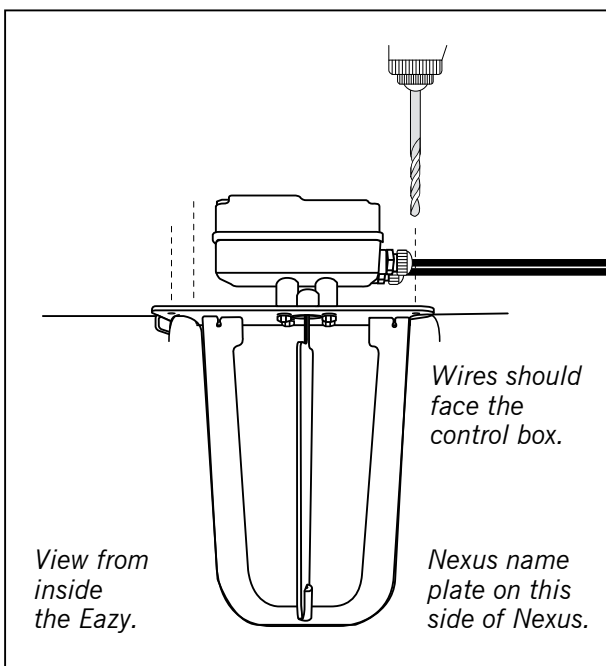
The inlet valve assembly is only needed on **GRAVITY FED** Nexus 200, 210, 220 and Nexus 300, 310 and 320 models manufactured after 2006.



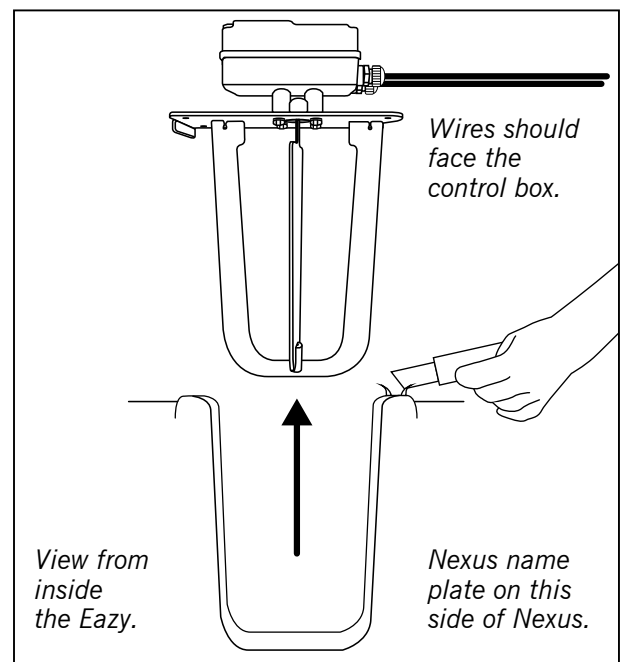
1. The inlet valve assembly should be fitted with the wires from the actuator facing the Nexus name panel and the location of the control box. **NOTE: The inlet valve is supplied in the "OPEN" position. The foam seal should not be fitted at this stage.**



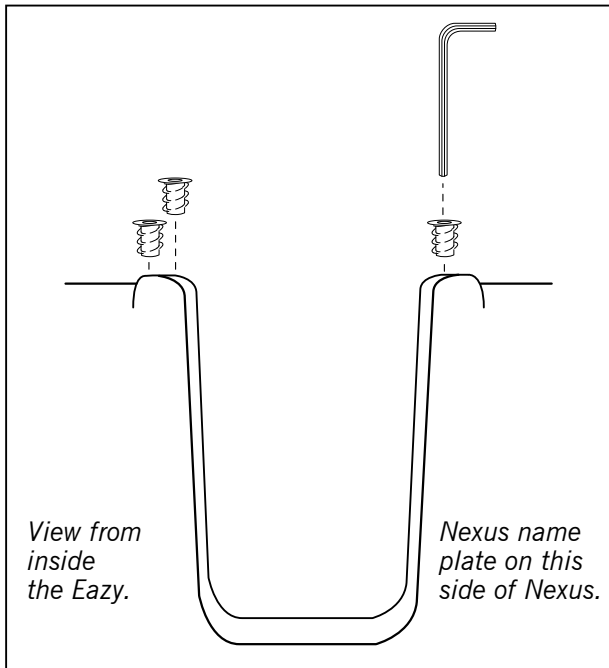
2. In preparation for drilling 3 pilot holes, fit the inlet valve assembly into the correct location. If required, use a sash clamp to squeeze the Nexus inlet together to fit the inlet valve assembly. It may be necessary to drain part of the Nexus to enable easier fitting. **NOTE: The foam seal should not be fitted to the valve at this stage.**



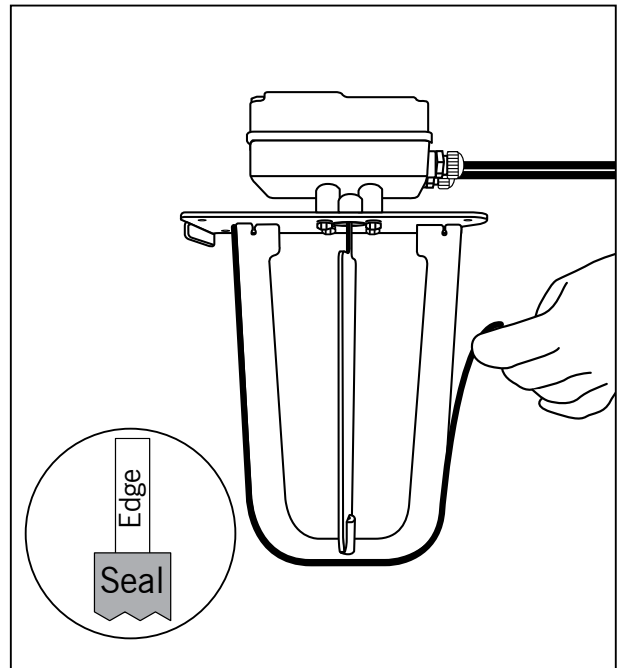
3. With the assembly in position, use the 3 holes in the top of the inlet plate assembly as a guide, and drill 6mm holes through each hole through the body of the Nexus.



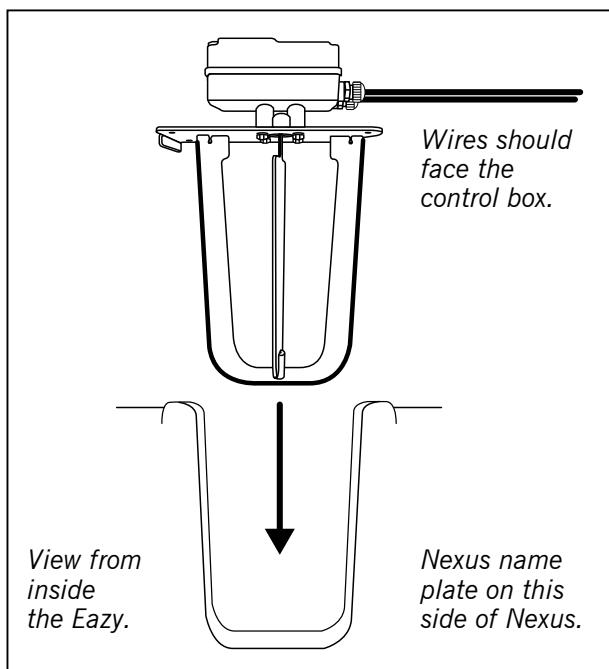
4. Now the 3 holes have been drilled, remove the inlet slide plate assembly. Use a knife or blade to remove any burr or excess plastic from around the holes you have drilled.



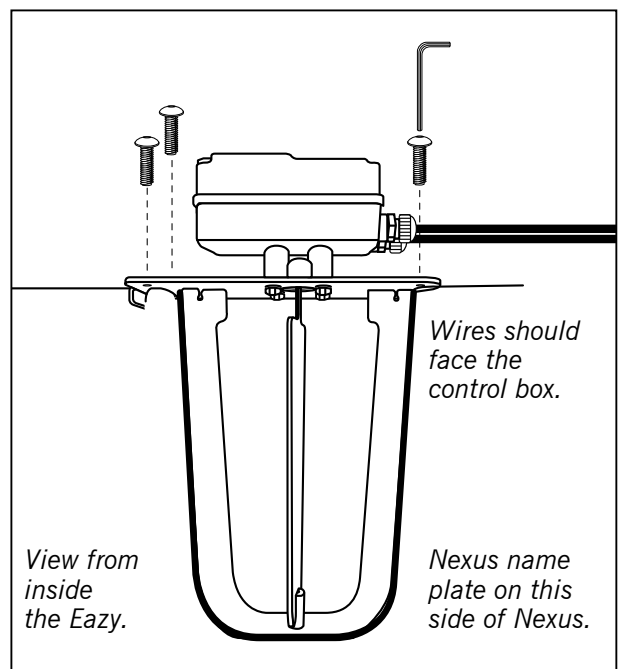
5. Using the 5mm allen key, screw the 3 fixing inserts into the holes you have drilled in the body of the Nexus. Tighten inserts until flush with the surface.



6. Ensure all edges of the inlet valve assembly are completely dry. Peel off the backing tape from the foam seal, then proceed to fit the foam seal around edge of the outer blade on inlet valve assembly. The seal must be centrally aligned. Trim off any excess length.



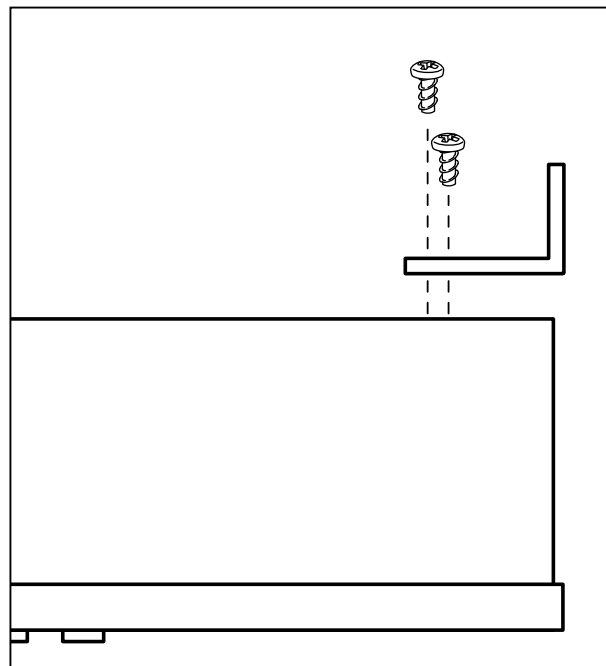
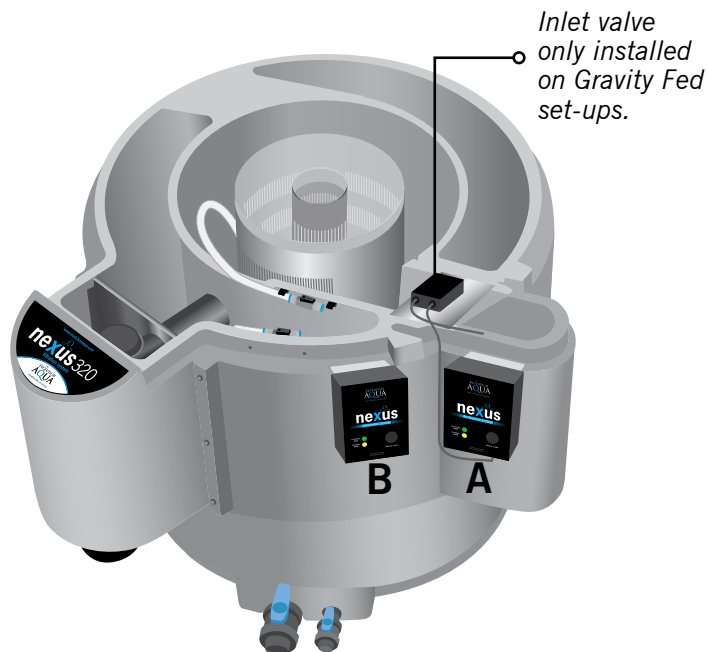
7. With the foam seal fitted, re-fit the inlet slide plate assembly, again using a sash clamp if needed.



8. Using the 3mm allen key, screw the 3 hex socket screws into the fixing inserts and tighten up.

FITTING THE CONTROL BOX ONTO THE NEXUS

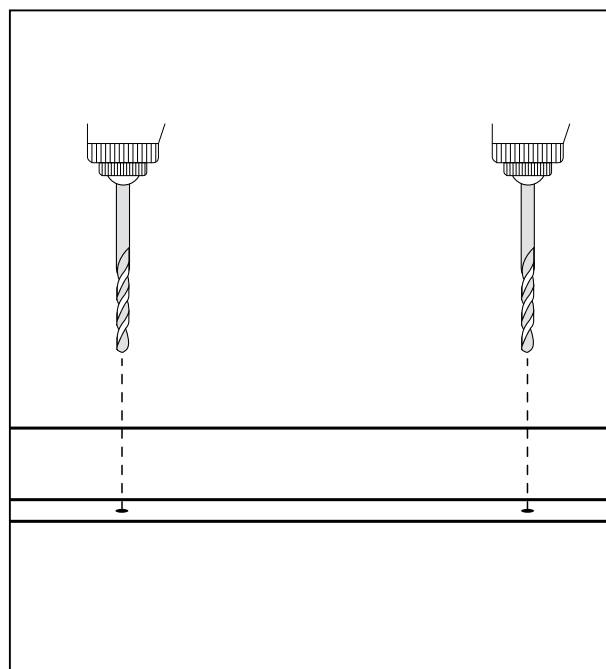
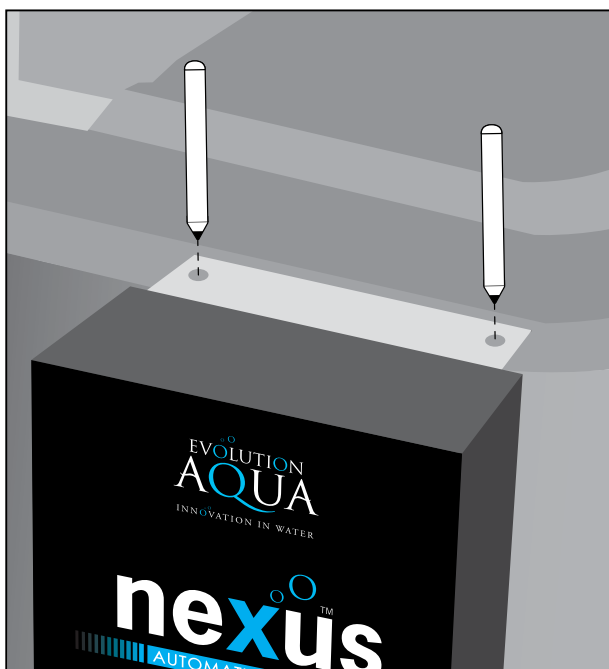
We suggest that you familiarise yourself with the inside of the control box prior to installation. See pages 23 to 27 for more information.



1. The Nexus Automatic Control Box should be positioned in between the inlet and outlet of the Nexus in either position A or B as shown. We recommend installing it in position A.

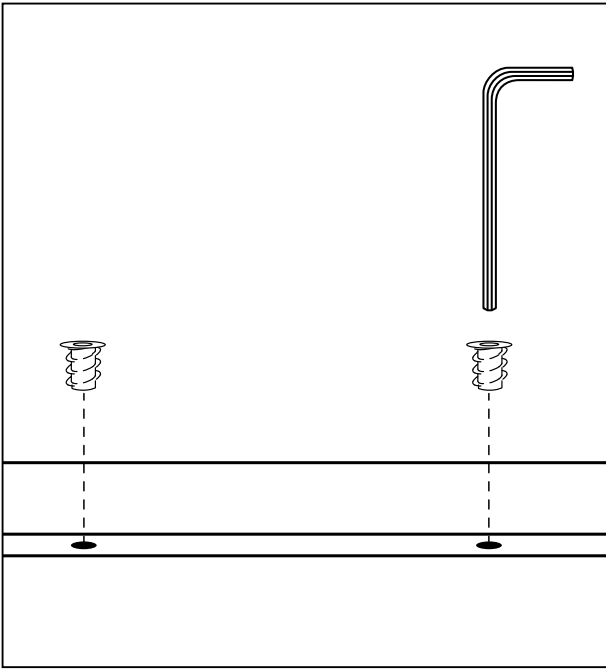
NOTE: Take care not to pull on any connector wires during installation.

2. Use 2 x 10mm self tapping screws to fit the stainless steel mounting bracket onto the back of the control box to allow the control box to be mounted to the Nexus. (These are the 2 inner holes on the stainless steel bracket that align with the box mounts).

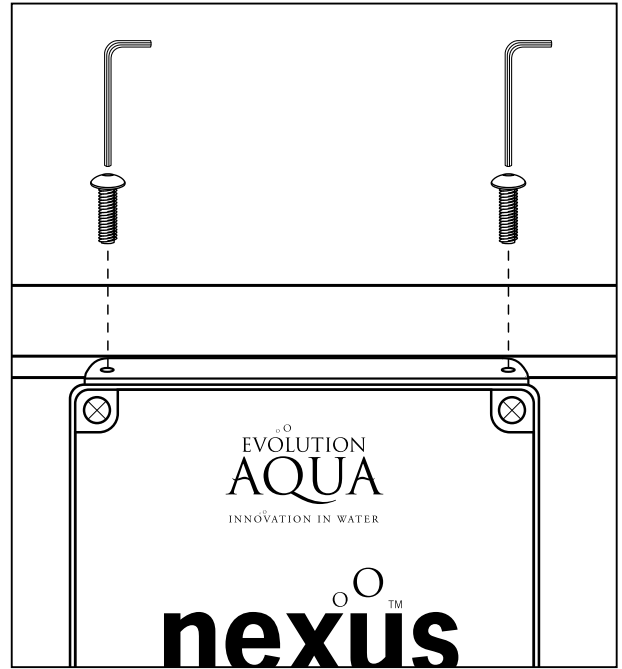


3. Hold the Nexus Automatic control box in the position you want it located on the Nexus. Now use a marker pen to make 2 marks where the screw holes are on the stainless steel bracket.

4. Move the control box away and then drill 2 holes into the positions you have marked using a 6mm drill. You may need to use a knife to remove any excess plastic or burr from around the holes you have drilled.



5. Screw 2 fixing inserts into the holes you have just drilled using the 5mm allen key. Tighten inserts until flush with the surface.

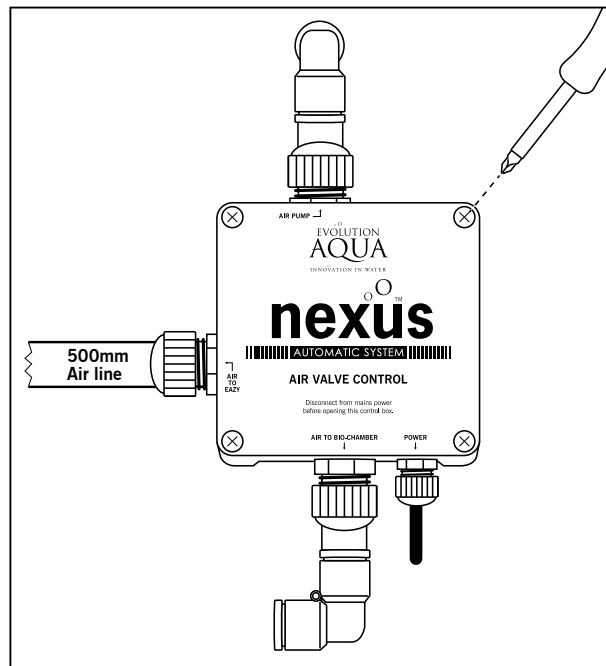


6. Fix the control box onto the Nexus using the pan head hex socket screws and the 3mm allen key.

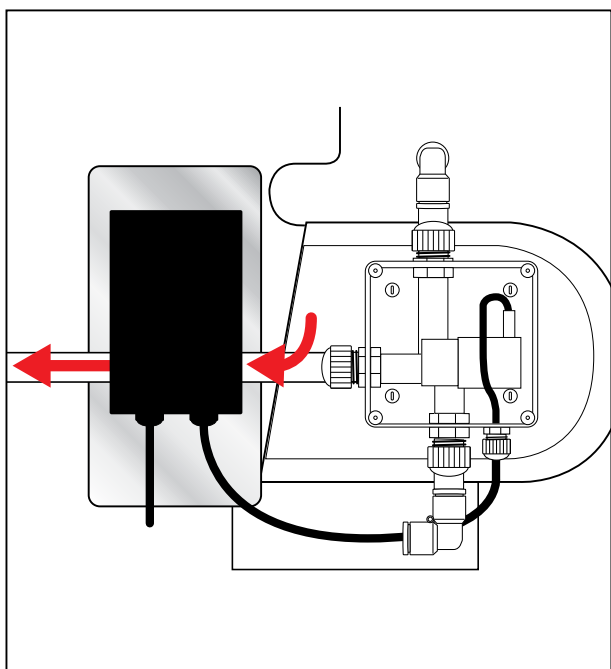
INSTALLING THE AIR VALVE CONTROL BOX



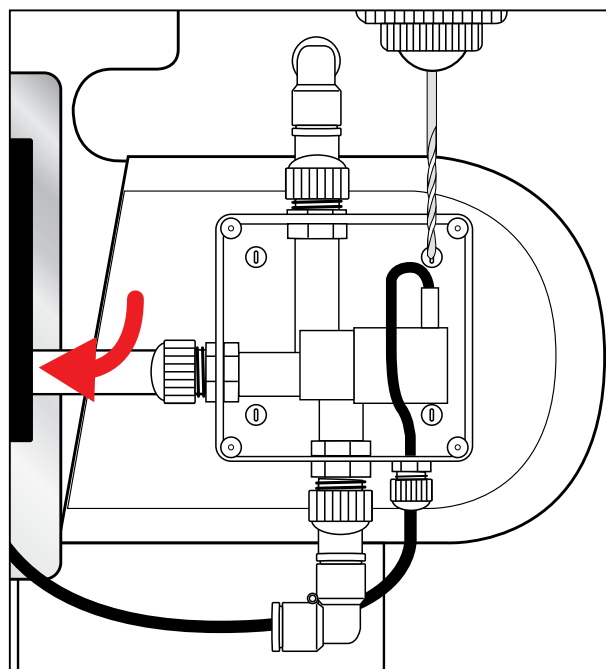
1. You are now going to install the air valve control box onto the inlet cover on your Nexus. Position this box so the “Power” and “Air To Bio-Chamber” outlets face the main control box, as shown.



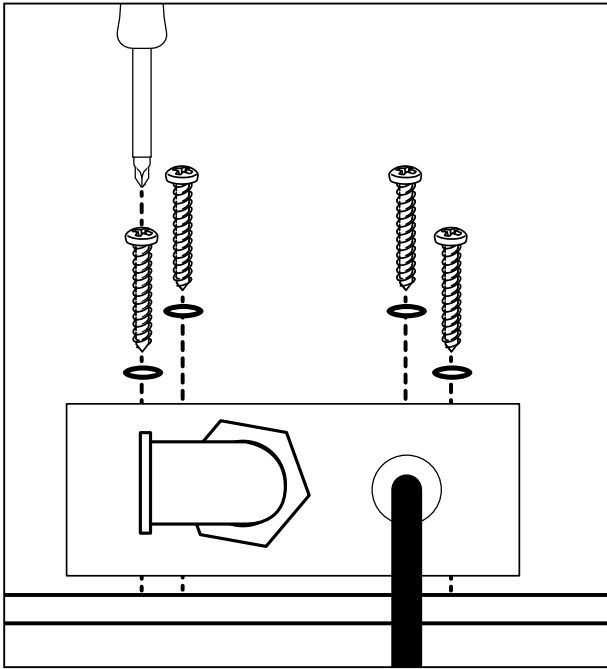
2. Remove the lid off the Air Valve Control Box by unscrewing the 4 screws in each corner of the box to allow access to fixing locations. **NOTE: Keep the 4 screws and O-Rings safe for re-fitting later.**



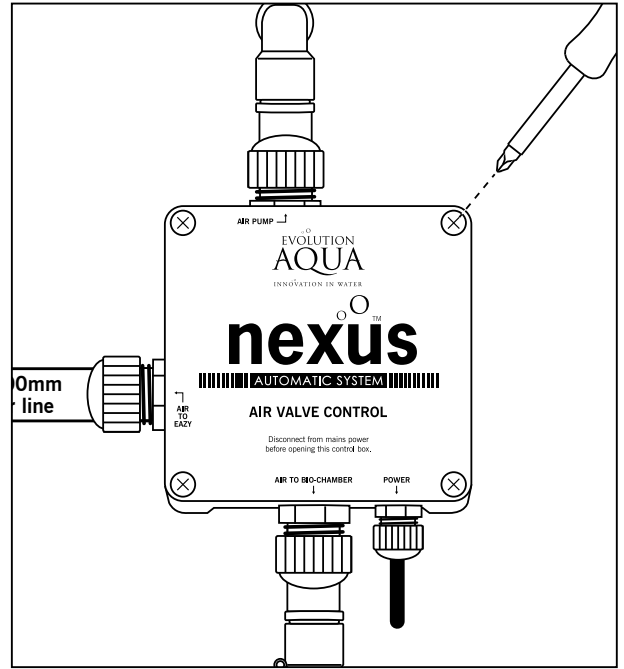
3. Place the Air Valve Control Box as shown. Make sure the air line to the Eazy sits between the Actuator and the stainless steel plate on the inlet valve assembly.



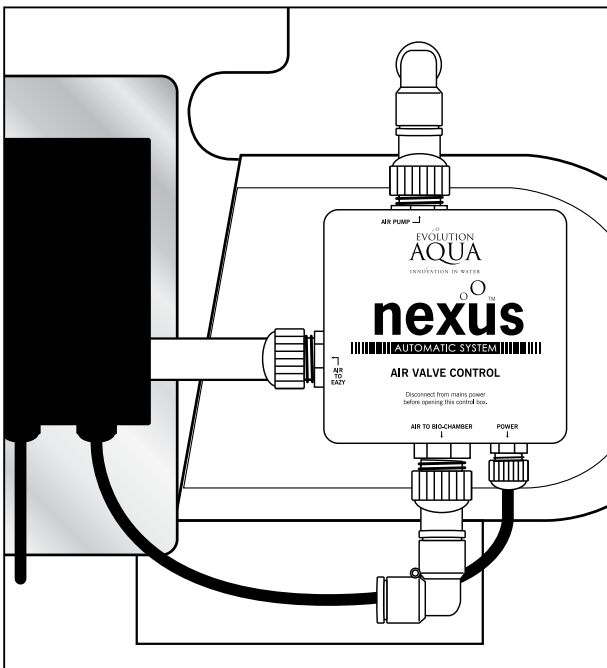
4. To fit the Air Valve Control Box in this position, drill 4 pilot holes using the 3mm drill bit through the 4 plastic panels in the base of the box.



5. When all 4 pilot holes have been drilled, use the 25mm screws and O-Rings, provided, to screw the box onto the Nexus. Use a pozi drive screwdriver to tighten the 4 screws up.

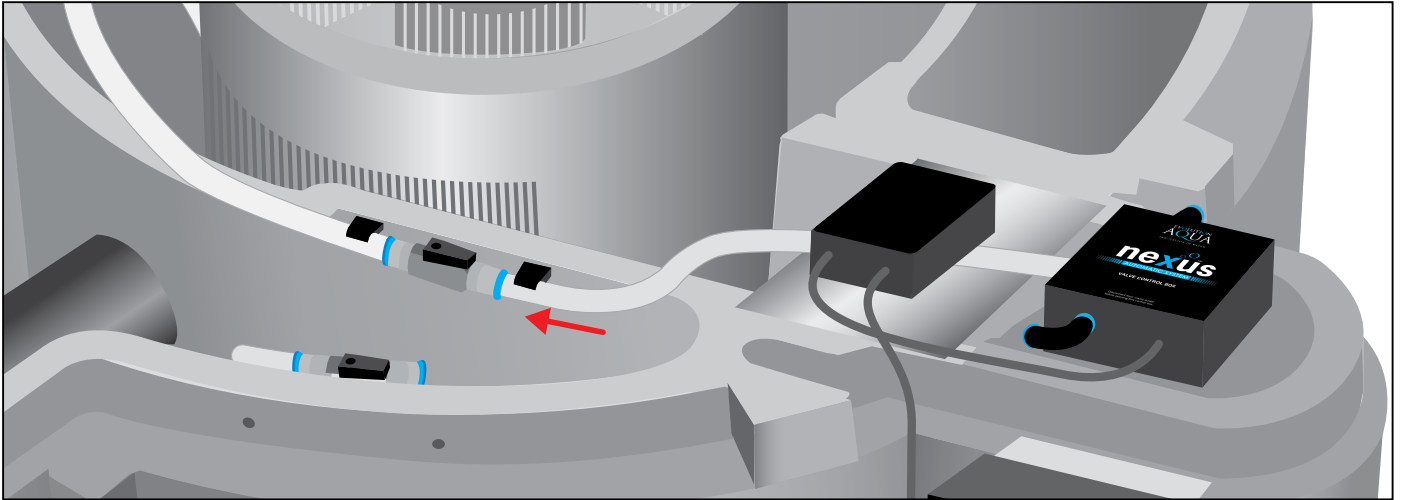


6. Use the 4 screws and O-Rings you removed in Step 2 to tighten up the lid on the Air Valve Control box.



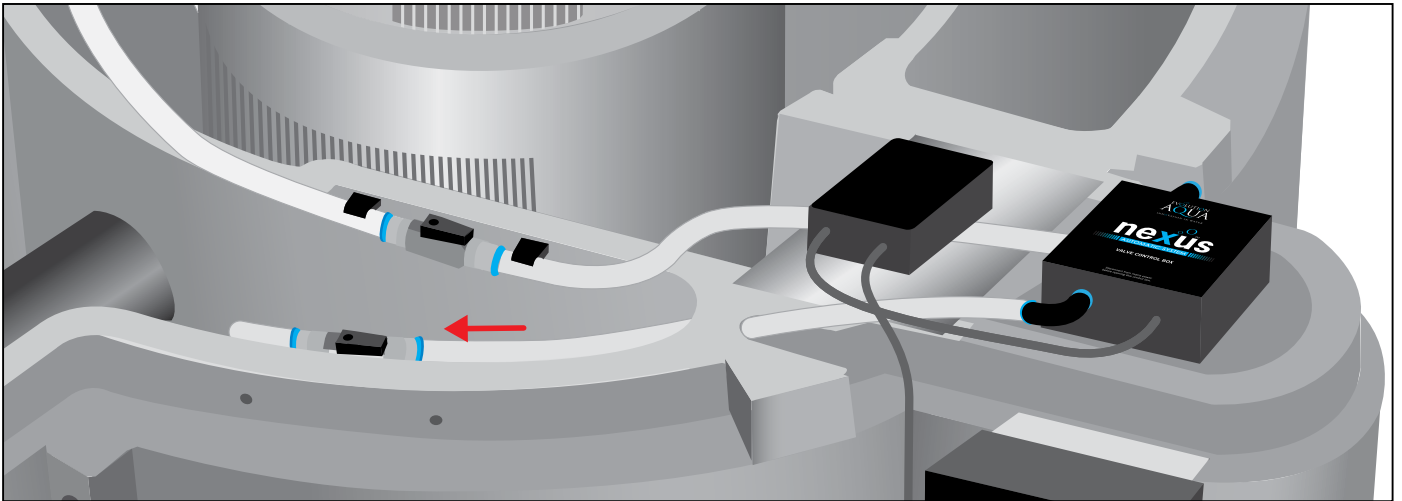
7. The Air Valve Control Box is fitted into position ready for air line installations.

CONNECTING THE AIR LINE TO THE EAZY AND BIO-CHAMBER ON THE NEXUS



1. CONNECTING PRE-FITTED AIR LINE TO THE EAZY

The piece of airline pre-connected to the Air Control Valve port labelled “Air to Eazy” needs to be inserted into the Air Valve on the centre chamber wall of the Nexus. This then connects to the air line that wraps around the Eazy and connect up to the 90° elbow located at the bottom of the Eazy in the centre chamber. Please ensure this airline is fed between the actuator and the stainless steel cover on the Inlet Valve Assembly.



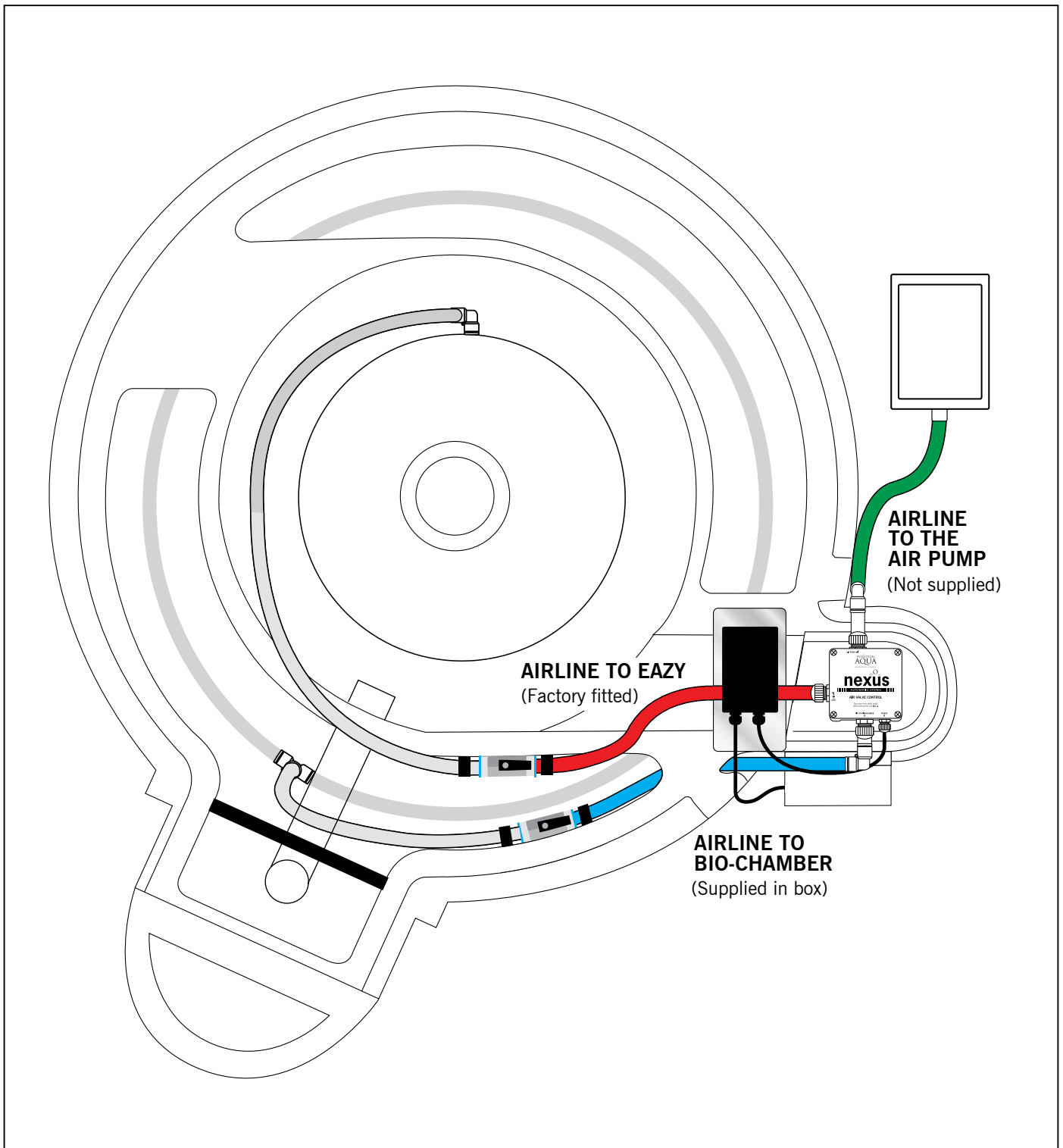
2. CONNECTING AIR LINE TO THE BIO-CHAMBER

The piece of air line supplied in the box (Item 7) should be connected to the Air Control Valve port labelled “Air to Bio-Chamber”. This needs to be fed through the hole in the Nexus inlet and connected up to the Air Valve fitted to the outer chamber wall of the Nexus.

3. CONNECTING AIR LINE TO THE AIR PUMP

Take the existing length of air line you removed earlier (see page 8) that was connected between the T-Piece valve on your Nexus and your Air Pump. Now connect this air line into Air Control Valve box in the port labelled “Air Pump”. (You do not need the old T-Piece and small lengths of air line you removed earlier on page 8.)

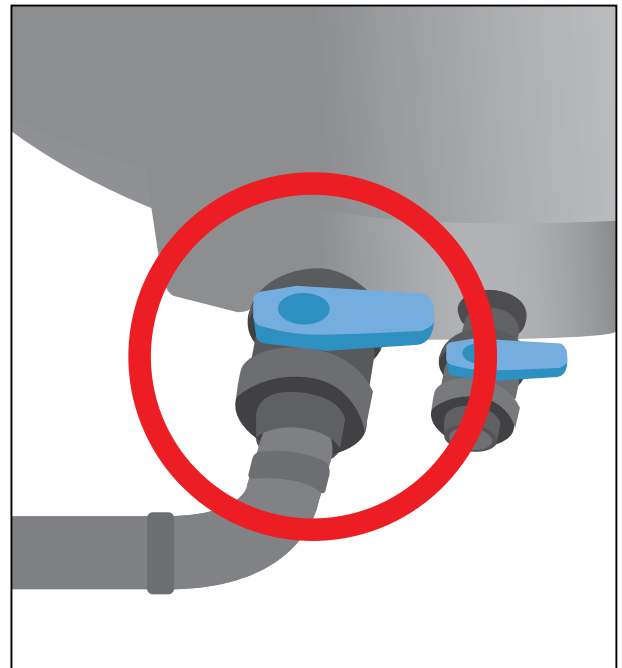
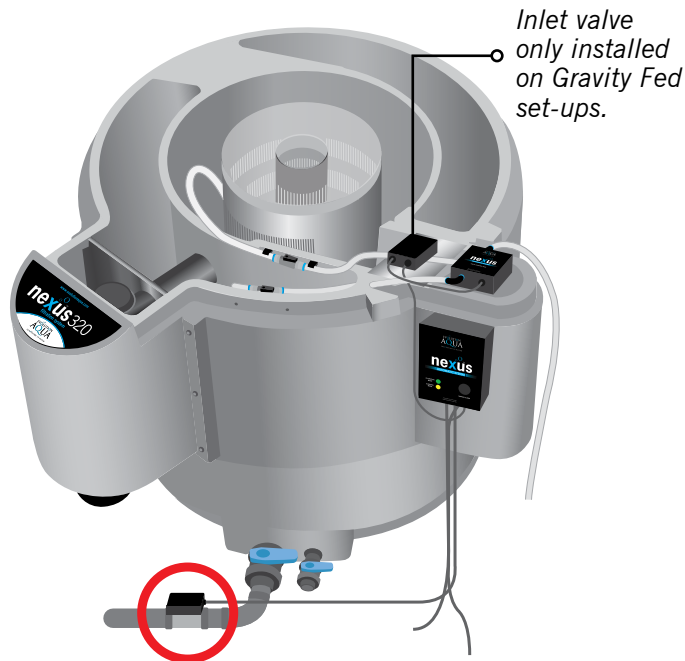
CONNECTING THE AIR LINE TO THE EAZY AND BIO-CHAMBER ON THE NEXUS



****IMPORTANT:**

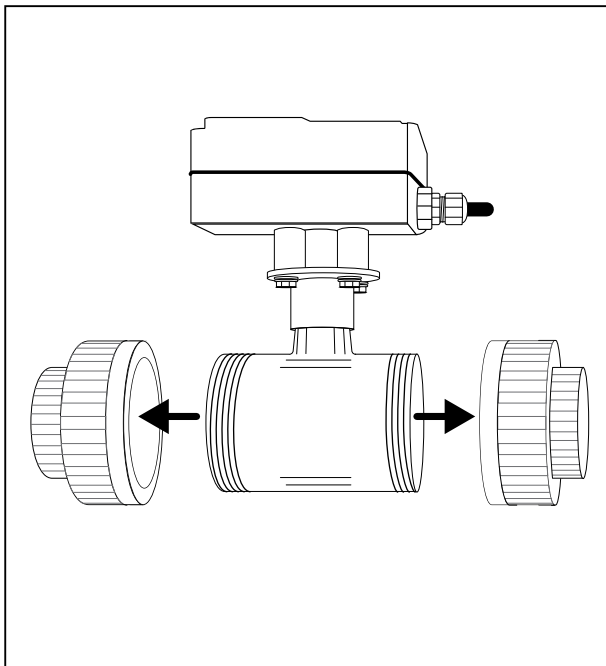
The air pump **MUST** be positioned above the water level on both **GRAVITY-FED** and **PUMP-FED** installations. This is to avoid any possibility of back siphoning.

INSTALLING THE AUTOMATED WASTE VALVE ONTO THE WASTE PIPEWORK

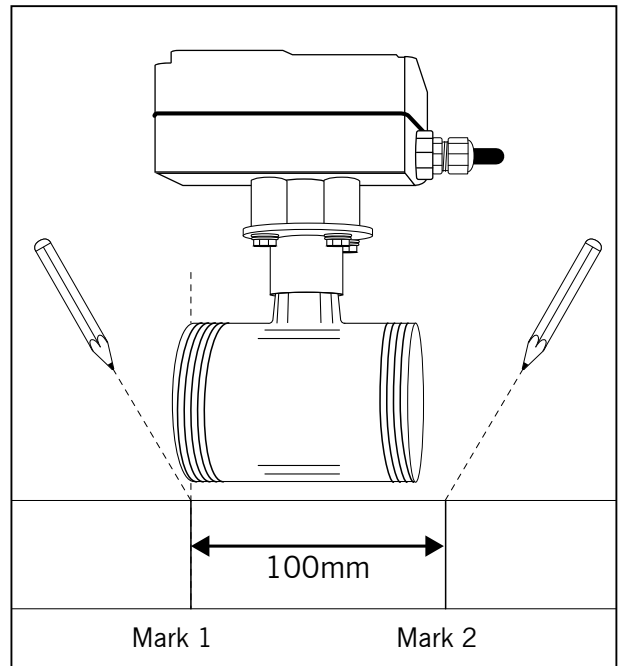


1. You are now going to install the automated waste valve on the waste return pipework from your Nexus. You can position this anywhere that is convenient on the waste pipe run within reach of the power cable.

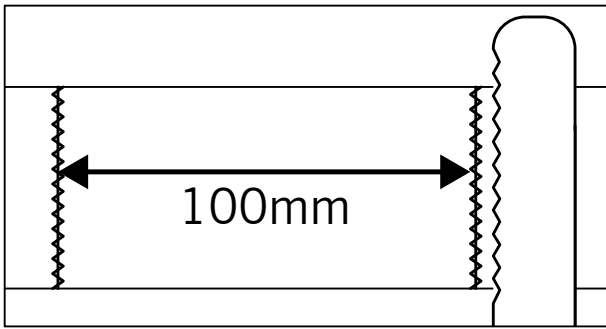
2. Before installation, ensure the waste valve on the Nexus is in a closed position.



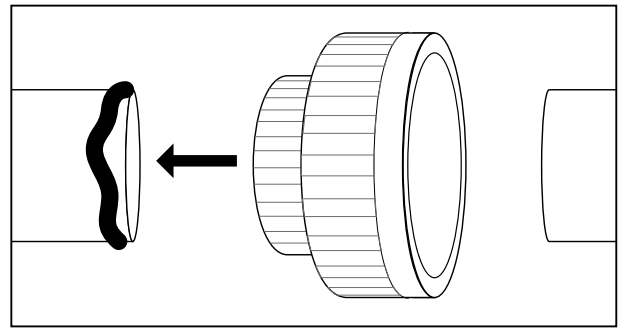
3. Taking the Automated Waste Valve, unscrew both union ends off the automated waste valve.



4. Use a pencil or pen to mark the waste pipework in line with one end of the ball valve minus the end cap. Then measure 100mm along the pipe and make a second mark.

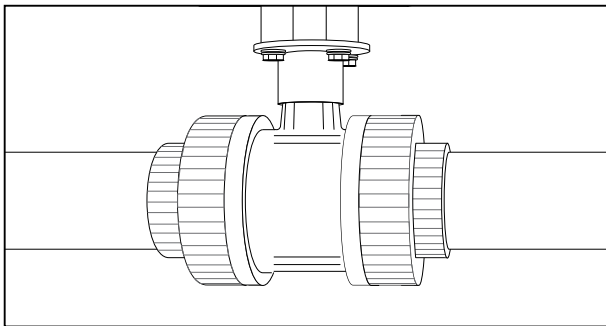


5. From the lines you have marked, cut through the pipework using a saw. Clean and dry the remaining pipe thoroughly.

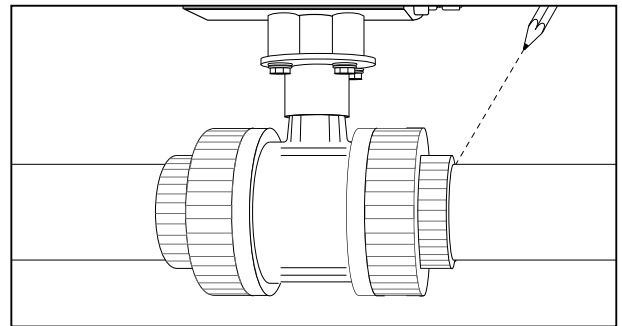


6. Clean and dry the pipe thoroughly. Ensure the union nut is over pipe prior to gluing the insert flange. Apply solvent weld glue to one of the cut ends of the pipe and fit the flange onto the pipe.

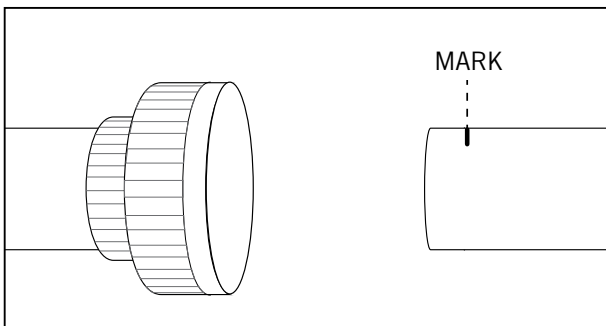
TIP: We recommend a “wet and dry” PVC glue be used for gluing the flanges.



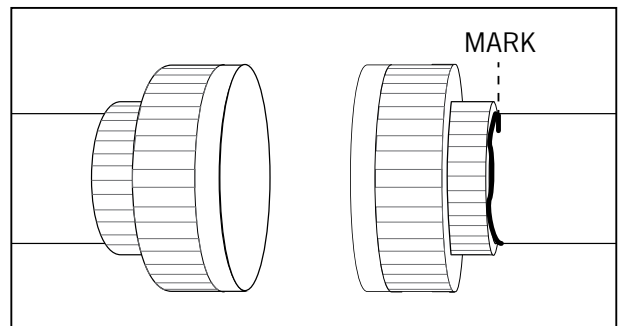
7. Using the automated waste valve as a guide, fit the valve into the glued union end, but do not glue the other union end.



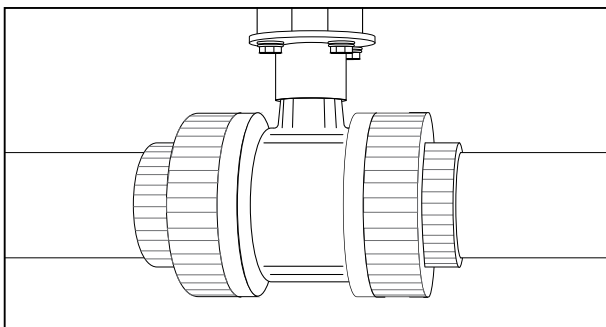
8. Mark the unglued flange position on the pipe with a pencil or marker pen.



9. Remove the automated waste valve from the pipe.



10. Ensure the union nut is over pipe prior to gluing the insert flange. Then, using the mark you made in Step 8 as the guide, glue the flange onto pipe so it is located at this mark.



11. Now fit the automated waste valve back in between the union ends and tighten both ends up.

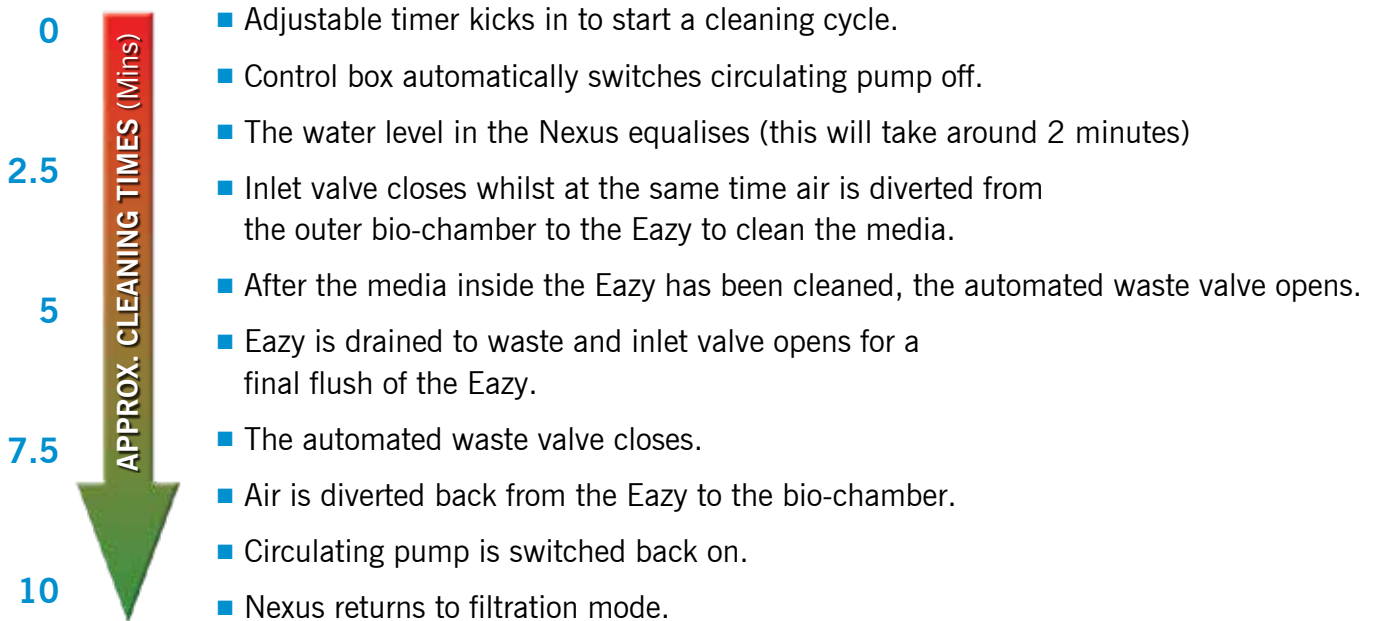
OPERATION

The Nexus Automatic System will control the cleaning cycle fully automatically. During the cleaning cycle, water is flushed to waste, this will mean that unless the water in your pond is topped up, the water level will go down. We recommend that an automatic top up system be added to your installation to allow for this.

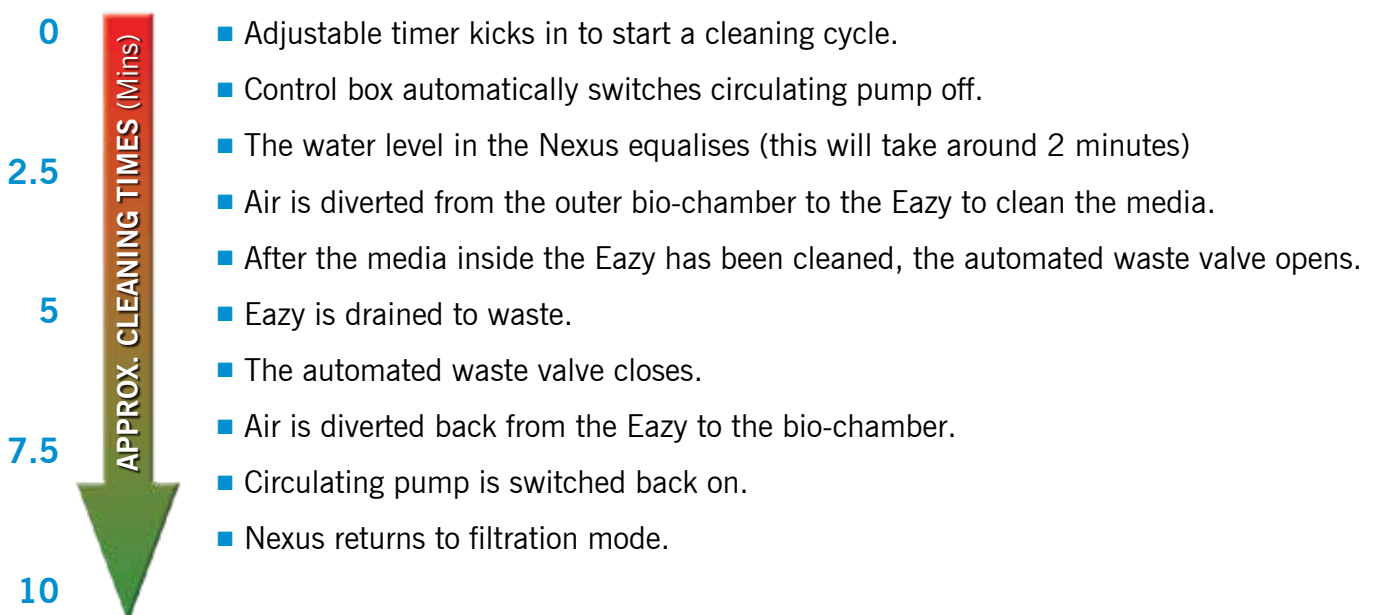
Cleaning is done on a timer, which is factory set at every 3 days, however, this is easily adjustable to fit in with your pond requirements. (See "SETTING THE TIMER")

The Nexus Automatic System will run a cleaning cycle which lasts approximately 10 minutes.

Nexus Automatic **Gravity Fed** cleaning cycle:



Nexus Automatic **Pump Fed** cleaning cycle:



CLEANING PRINCIPLES

The generally accepted practice is that when you keep ornamental fish, whether in a pond or in an aquarium, to keep the water fresh, 10% of the volume of the water in the pond/aquarium should be changed on a weekly basis.

With this in mind, we recommend that you set your Nexus Automatic system to run a cleaning cycle so as to exchange water in line with this.

FOR EXAMPLE – the Nexus 320 Automatic Cleaning cycle will send around 200 litres of water to waste. If your pond is 14000 litres, then it would need 7 cleaning cycles per week to do a 10% water change, so the Nexus Automatic System should be set up to clean on a daily basis (once per day).

To alter the timer, see “SETTING THE TIMER”.

The Nexus Automatic System can also run a cleaning cycle on demand, simply by pressing the “Manual Clean” button.

NON-RETURN VALVE ON GRAVITY FED INSTALLATIONS

In certain circumstances, depending on your proposed set-up, a non-return valve should be fitted after the pump. This is to prevent water siphoning back from the pond when the waste valve is in an open position.

Order a 1½" non-return valve from Evolution Aqua quoting part number: **K25-50-100**

NON-RETURN VALVE ON PUMP FED INSTALLATIONS

In order to maintain the water level in the filter, the PUMP-FED installation requires the non-return valve provided to be fitted after the pump and before the filter.

The non-return valve is to prevent water going back to the pond.

Please ensure the non-return valve is fitted in the correct direction, with the arrow on the non-return valve pointing towards the filter and not the pump.

You may require the additional parts:

- 1½" hosetail - EA CODE: **HOSETAIL15**
- Reducing sleeve 1½" TO 40mm - EA CODE: **M35-0-50**

POND PUMP ON PUMP FED INSTALLATIONS

We recommend that the pond pump is raised off the bottom of the pond as per the Nexus filter installation instructions. This will prevent the pond from emptying completely in the event of pump failure.

GUIDANCE FOR ELECTRICAL CONNECTIONS

We recommend that all electric work on your Nexus Automatic System be done by a suitably qualified electrician.

ALWAYS DISCONNECT FROM MAINS BEFORE OPENING THE FRONT OF THE BOX.
For the avoidance of doubt: GREEN/YELLOW = EARTH, BROWN = LIVE, BLUE = NEUTRAL



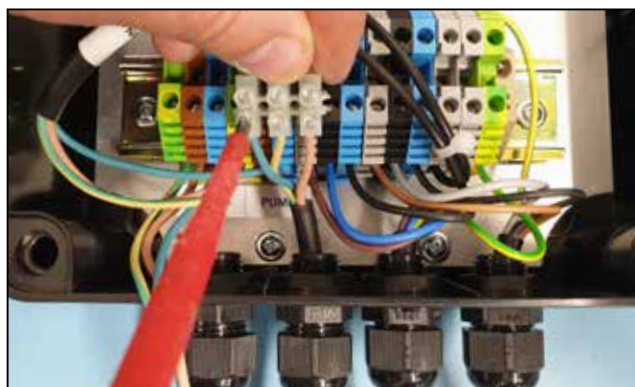
1. To open the box, use a flat head screwdriver to unscrew the plastic screws on the box. The lid can be open to 90° with 2 loose screws. **DO NOT FORCE THIS OPEN.**



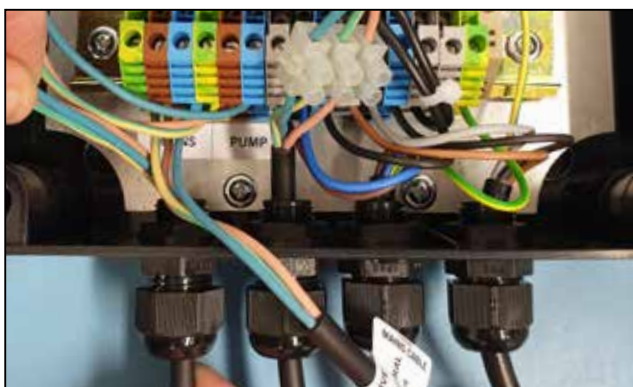
2. With the box front open, familiarise yourself with the connectors inside. The pump and mains cables are fitted with terminal blocks for easier connection to your pump and mains supply.



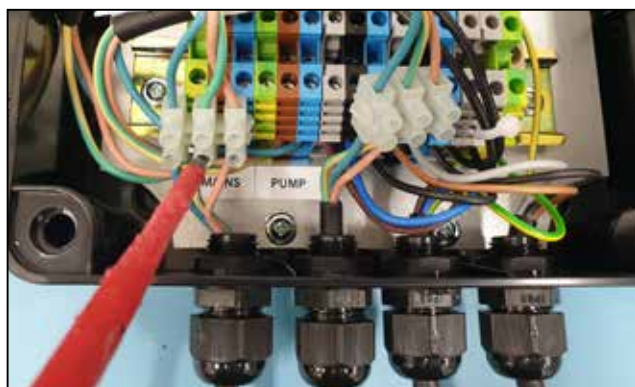
3. PUMP CABLE: Feed enough wire through the gland nut, into the control box to allow you to make the connections to the PUMP terminal block.



4. Fit the corresponding LIVE, EARTH and NEUTRAL wires into the matching terminal labelled PUMP and tighten with a screwdriver.



5. MAINS CABLE: Feed enough wire through the gland nut, into the control box to allow you to make the connections to the MAINS terminal block.



6. Fit the corresponding LIVE, EARTH and NEUTRAL wires into the matching terminal labelled MAINS and tighten with a screwdriver. Now re-fit the lid.

DO NOT UNSCREW OR TAMPER WITH ANY FACTORY FITTED WIRES.
ENSURE ALL GLAND NUTS ARE TIGHTENED TO PREVENT WATER INGRESS.

CLEANING WITH THE NEXUS AUTOMATIC SYSTEM

MANUAL CLEAN

When you push the “MANUAL CLEAN” button a cleaning cycle will begin.

Once initiated, we advise that you allow the cleaning cycle to run from start to finish. However, in unexpected circumstances by interrupting and restarting the power supply, the system will reset itself to a zero start condition for all functions i.e.; inlet valve open, automated waste valve closed, timer at start, once the power is resumed. (A power cut will have the same effect).

AUTOMATIC CLEAN

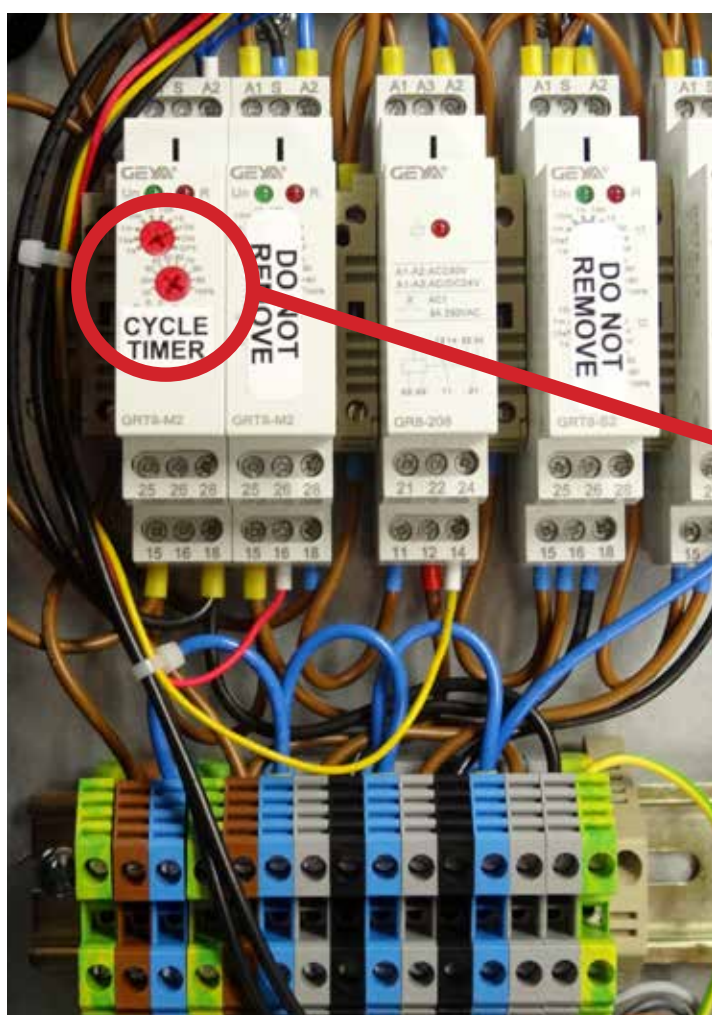
You do not need to push any buttons to start an Automatic Clean.

The frequency of cleaning is factory set to cycle once every three days.

This time period can be easily adjusted by changing the CYCLE TIMER located inside the control box.

Once an Automatic Clean is initiated, we advise that you allow the cleaning cycle to run from start to finish. However, in unexpected circumstances by interrupting and restarting the power supply, the system will reset itself to a zero start condition for all functions ie; inlet valve open, automated waste valve closed, timer at start, once the power is resumed. (A power cut will have the same effect).

THE CYCLE TIMER EXPLAINED



INSIDE THE CONTROL BOX



THE CYCLE TIMER

THE CYCLE TIMER EXPLAINED

THE CYCLE TIMER EXPLAINED

**ONLY ADJUST SCREW A AND B ON THE FIRST CYCLE TIMER.
NEVER ADJUST ANY OTHER TIMER SCREW.**



THE CYCLE TIMER IS FACTORY SET TO INITIATE A CLEANING CYCLE ONCE EVERY 3 DAYS

This cleaning cycle is programmed by turning the top 2 red screws on the first timer block. Each screw head has an arrow which should point towards the correct digit you require.

SCREW A - This screw sets the number of times the cycle can be initiated in any period from one day through to 10 days on a coarse scale.

NEVER SET SCREW A AT LESS THAN 1 h

SCREW B - This screw sets a fine division within the coarse scale.

EXAMPLE - To enable the Nexus Automatic System to clean your Nexus once every 3 days SCREW A points to 10 d (a coarse period of 10 days) and SCREW B points to 30 (30%).

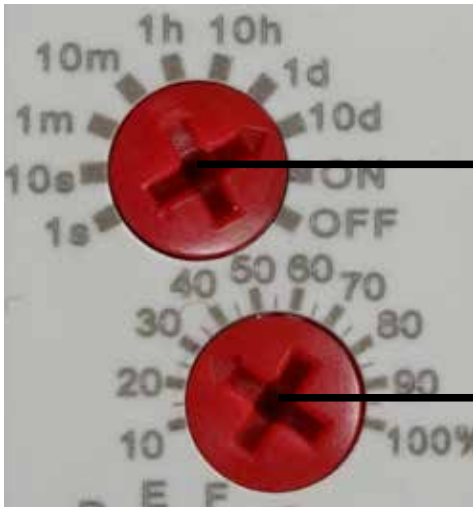
This instructs the timer to carry out 1 clean every 3 days.

KEY TO SYMBOLS ON THE CYCLE TIMER DISPLAY

DIGIT DISPLAYED ON TIMER	DESCRIPTION	USAGE
1 s	1 second	DO NOT USE
10 s	10 seconds	DO NOT USE
1 m	1 minute	DO NOT USE
10 m	10 minutes	DO NOT USE
1h	1 hour	Can be used
10 h	10 hours	Can be used
1 d	1 day	Can be used
10 d	10 days	Can be used
ON	Timer override not used	DO NOT USE
OFF	Timer off override not used	DO NOT USE

SETTING THE CYCLE TIMER

If you do not want to have your Nexus cleaned once every 3 days, as is factory set, you can alter the cleaning frequency to suit your needs. Simply turn **SCREW A** and **SCREW B** to point to the different digits using the sequences shown in the tables below:



Use a pozi-drive screwdriver to turn the screw head, so the arrow on the dial points to the appropriate digit.

SCREW A - This screw sets the time of the cycle. (Factory set pointing to 10 d)

SCREW B - This screw sets the frequency as a percentage of the time set above. (Factory set pointing to 30%)

TO HAVE YOUR NEXUS CLEANED MORE THAN ONCE PER DAY

USER'S CLEANING FREQUENCY	SCREW A POINTS TO	SCREW B POINTS TO
1 clean every day / 24 hours	1 d	100%
2 cleans every day / 24 hours	1 d	50%
3 cleans every day / 24 hours	1 d	30%
4 cleans every day / 24 hours	1 d	25%

TO HAVE YOUR NEXUS CLEANED BY DAY

USER'S CLEANING FREQUENCY	SCREW A POINTS TO	SCREW B POINTS TO
1 clean every 2 days	10 d	20%
** 1 clean every 3 days **	10 d	30%
1 clean every 4 days	10 d	40%
1 clean every 5 days	10 d	50%
1 clean every 6 days	10 d	60%

****FACTORY DEFAULT SETTING****

TO HAVE YOUR NEXUS CLEANED BY WEEK

USER'S CLEANING FREQUENCY	SCREW A POINTS TO	SCREW B POINTS TO
1 clean every 7 days	10 d	70%

COMMISSIONING THE NEXUS AUTOMATIC SYSTEM

Once you have satisfied yourself that the component parts are installed correctly on your system, you can commission the unit ready for operation.

FINAL CHECKS

- Ensure your existing manual waste valve fitted on the Nexus filter is moved to an **OPEN** position
- Ensure all gland nuts on the control boxes are tight
- Check that the non-return valve is fitted in the correct location (where applicable)
- Check that the circulating pump is connected the control box.
- Check the air pump is connected to the mains power and that airline is connected to the Air Valve box.
- Use the cable ties and conduit provided to tidy up the cables from the control box

START UP

- Switch on your air pump
- Check air is getting to the bio-chamber making the media agitate (as per normal Nexus moving bed)
- Switch on mains supply to the control box
- Check circulation pump is running
- The green light on the front of the control box labelled "Filtration Mode" will be illuminated
- Push the "Manual Clean" button on the control box to initiate the first cleaning cycle
- The yellow light on the front of the control box labelled "Cleaning Mode" will be illuminated.
This light will remain on for the 10 minute duration of the cleaning cycle (See page 20 for more details)
- After the cleaning cycle has finished, the control box will revert to timer mode and the green light will illuminate

TROUBLESHOOTING

There is no power to the control box

- Check the wiring is correctly installed. Seek advice from a suitably qualified electrician if in doubt.
- Check the mains connection to the control box. Seek advice from a suitably qualified electrician if in doubt.
- Check the fuses inside the control box. These are located alongside the timer blocks within their own hinged compartments. The fuses are all standard glass fuses; 10 Amp, 5 Amp, 2 Amp, 2 Amp from left to right.
- Please be aware that every control box system is fully factory tested.

The inlet valve does not turn during cleaning cycle

- Check if the inlet valve is being obstructed.
- Check if the yellow light is illuminated. If light is not illuminated after 3 minutes, initiate a manual clean to check operation.
- Check the wiring is correctly installed. Seek advice from a suitably qualified electrician if in doubt.
- Check the mains connection to the control box. Seek advice from a suitably qualified electrician if in doubt.
- Check the fuses inside the control box. These are located alongside the timer blocks within their own hinged compartments. The fuses are all standard glass fuses; 10 Amp, 5 Amp, 2 Amp, 2 Amp from left to right.

Nexus does not drain to waste

- Check that the 1½" ball valve on the Nexus is in an open position.
- Is cleaning cycle fully operational. From initiating a cleaning cycle it will take 7 to 8 minutes before the automated waste valve opens. (Refer to OPERATION on page 20)
- Check automated waste valve is connected correctly.

Air does not divert between bio-chamber and Eazy automatically during cleaning cycle

- Check air pump is running.
- Check the air line is correctly installed from the air pump to the air control box.
- Check cleaning cycle is operational. If inlet valve is closed, air will only divert once inlet valve is open. (Refer to OPERATION on page 20)
- Check air valve control box is connected correctly.

FURTHER ADVICE

Should the Nexus Automatic System not function as set out in this manual, more fault finding information can be found on our website:

www.evolutionaqua.com



LOCATION OF FUSES

WARRANTY

This product is guaranteed against defects in material and workmanship for 1 year from the date of purchase, under normal usage. The guarantee DOES NOT APPLY in case of improper use, negligence, lack of maintenance or accidental damage to the Nexus Automatic System. If the Nexus Automatic System fails due to a manufacturing fault within this period it will be either repaired or replaced free of charge. Liability is limited to replacement of the faulty product only; no other costs will be reimbursed. This guarantee is not transferable and does not affect your statutory rights. This guarantee does not confer any rights other than those expressly set out above. This guarantee does not cover the Nexus filter this system is installed on.

Do not attempt to tamper with the Nexus Automatic System components, other than as directed in this instruction manual, as doing so will invalidate the warranty.

The manufacturer or supplier shall not be responsible, or held liable for any damages caused by defective components or materials of this product; or for loss incurred by interruption of service; or any consequential/incidental damages and expenses arising from the production, sale use or misuse of this product or any other consequential loss; or for damage as a result of cold weather or extreme weather related conditions.

Any warranty claim must be accompanied by a valid, dated proof of purchase.

Evolution Aqua and its dealers shall not be held liable for any loss of fish, plants or any other livestock as a result of any failure or defect of this product.

The installation and use of your product outside of our recommendations as printed in this manual may also void the warranty.

Should the Nexus Automatic System not function as set out in this manual, more fault finding information can be found on our website:

www.evolutionaqua.com

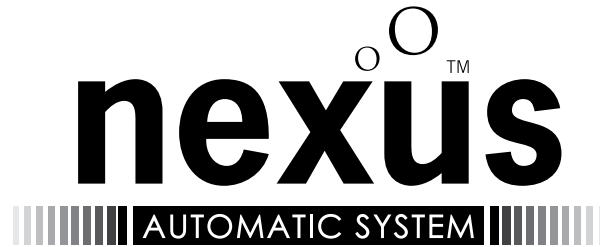
EVOLUTION
AQUA

INNOVATION IN WATER

Evolution Aqua Ltd

Evolution House
Kellet Close
Wigan
Lancashire
United Kingdom
WN5 0LP

t: +44 (0) 1942 216554
f: +44 (0) 1942 418489
e: info@evolutionaqua.com
w: www.evolutionaqua.com



WARRANTY PROVISIONS

This product is guaranteed against defects in material and workmanship for 1 year from the date of purchase, under normal usage. The guarantee DOES NOT APPLY in case of improper use, negligence, lack of maintenance or accidental damage to the Nexus Automatic System. If the Nexus Automatic System fails due to a manufacturing fault within this period it will be either repaired or replaced free of charge. Liability is limited to replacement of the faulty product only; no other costs will be reimbursed. This guarantee is not transferable and does not affect your statutory rights. This guarantee does not confer any rights other than those expressly set out above. This guarantee does not cover the Nexus filter this system is installed on.

Do not attempt to tamper with the Nexus Automatic System components, other than as directed in this instruction manual, as doing so will invalidate the warranty.

The manufacturer or supplier shall not be responsible, or held liable for any damages caused by defective components or materials of this product; or for loss incurred by interruption of service; or any consequential/incidental damages and expenses arising from the production, sale use or misuse of this product or any other consequential loss; or for damage as a result of cold weather or extreme weather related conditions.

Any warranty claim must be accompanied by a valid, dated proof of purchase.

Evolution Aqua and its dealers shall not be held liable for any loss of fish, plants or any other livestock as a result of any failure or defect of this product.

The installation and use of your product outside of our recommendations as printed in this manual may also void the warranty.

Should the Nexus Automatic System not function as set out in this manual, more fault finding information can be found on our website: www.evolutionaqua.com

WARRANTY CARD

Or register online at
www.evolutionaqua.com

EVOLUTION
AQUA
INNOVATION IN WATER

Your Name: _____

Customer Address: _____

Postcode: _____

Country: _____

Tel: _____

Mobile: _____

Email _____

Purchased From: _____

Address: _____

Postcode: _____

Country: _____

Tel: _____

Web: _____

Date of Purchase: / /

Model: _____

Serial Number: _____

I have read and accept the terms and conditions listed in the warranty card, and understand the obligations of the Customer under this warranty.

Signature: _____ Date: / /

Returning this registration form will amount to your consent for us to disclose your details and other personal information to other companies within the Evolution Aqua group including any subsidiary company or subcontractor of Evolution Aqua for the purposes of performing our obligations under the warranty. Evolution Aqua Ltd. may contact you in the future with product updates or offers, which may be of interest to you. If you do not wish to receive this information please tick this box.

TEL: 01942 216554 FAX: 01942 418 489

WARRANTIES - EVOLUTION AQUA - KELLET CLOSE - WIGAN - LANCASHIRE - WN5 0LP - TEL: 01942 216554



EVOLUTION
AQUA
INNOVATION IN WATER

nexusTM
AUTOMATIC SYSTEM

Evolution Aqua Ltd

Evolution House
Kellet Close
Wigan
Lancashire
United Kingdom
WN5 0LP

t: +44 (0) 1942 216554
f: +44 (0) 1942 418489
e: info@evolutionaqua.com
w: www.evolutionaqua.com