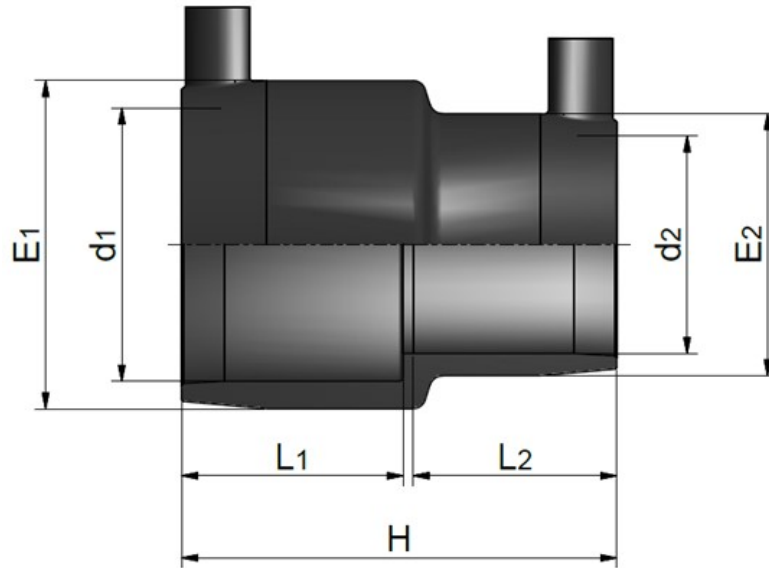


PE 100 Electrofusion fittings
PE 100 Raccordi elettrosaldabili

REDUCING PIECE M - F
RIDUZIONE LUNGA M - F

Rev. Jun 2019
 FN5041



Code	d1	d2	E1	E2	L1	L2	H	PN	Weight (g)
REPRLD025B	25	20	34	29	38,5	36,5	77	16	40
REPRLD032B	32	20	43	29	38,5	36,5	77	16	50
REPRLD032C	32	25	43	34	38,5	37	77	16	50
REPRLD040D	40	32	52	44	46	43	91	16	80
REPRLD050D	50	32	62	44	46,5	41	91	16	90
REPRLD050E	50	40	62	52	46	43	91	16	100
REPRLD063D	63	32	78	44	52	44	102	16	140
REPRLD063E	63	40	78	52	52	45	102	16	140
REPRLD063F	63	50	78	62	52	48	102	16	150
REPRLD075G	75	63	98	82	61	57	126	16	440
REPRLD090G	90	63	109,5	79	61	55	122,5	16	300
REPRLD110G	110	63	140	98	75	54	136,5	16	590
REPRLD110I	110	90	134	112	68	62	137	16	550
REPRLD125I	125	90	152	112	75	62,5	145	16	700
REPRLD160L	160	110	200	140	89	73	184	16	1640
REPRLD180M	180	125	216	157	101	83	221	16	2160

All descriptions and illustrations in this publication are intended for guidance only and shall not constitute a 'sale by description'. All dimensions given are nominal, while changes can be done on the information, products and specifications from time to time for a variety of reasons, without prior notice. The information in this publication is provided 'as is' on the revision date stated on the sheet. Updates will not be issued automatically. This information is not intended to have any legal effect, whether by way of advice, representation or warranty (express or implied). We accept no liability whatsoever (to the extent permitted by law) if you place any reliance on this publication you must do so at your own risk. All rights reserved. Copyright in this publication belongs to Polypipe Italia and all such copyright may not be used, sold, copied or reproduced in whole or part in any manner in any media to any person without prior consent. **EFFAST** is a registered trademark."