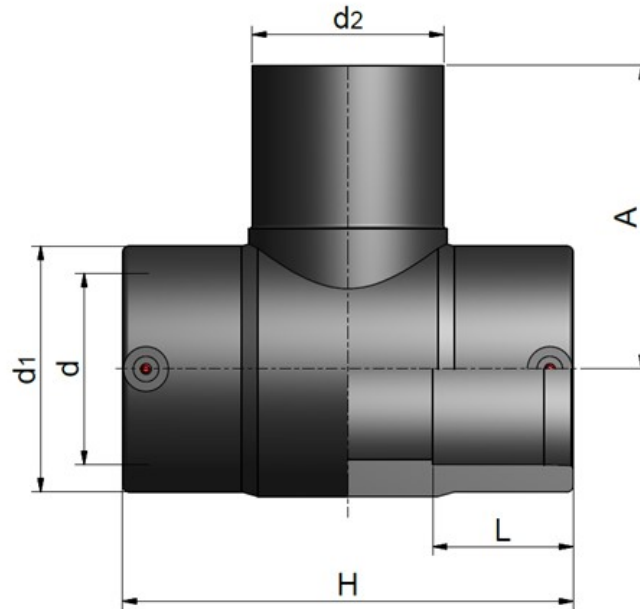


PE 100 Electrofusion fittings
PE 100 Raccordi elettrosaldabili

90° TEE
TI 90°

Rev. Jun 2019
 FN5041



Code	d	d1	d2	L	H	A	PN	Weight (g)
REPTID0200	20	44	20	35	98	90	16	140
REPTID0250	25	44	25	35	98	90	16	130
REPTID0320	32	44	32	35	98	90	16	110
REPTID0400	40	52	40	44	131	91	16	160
REPTID0500	50	63	50	43	141	104	16	230
REPTID0630	63	82	63	50	156	114	16	450
REPTID0750	75	100	75	55	174	134	16	600
REPTID0900	90	115	90	64	203	143	16	970
REPTID1100	110	139	110	73	239	157	16	1670
REPTID1250	125	156	125	80	264	182	16	2300
REPTID1600	160	200	160	89	313	211	16	4060
REPTID1800	180	222	180	90	334	232	16	5300

All descriptions and illustrations in this publication are intended for guidance only and shall not constitute a 'sale by description'. All dimensions given are nominal, while changes can be done on the information, products and specifications from time to time for a variety of reasons, without prior notice. The information in this publication is provided 'as is' on the revision date stated on the sheet. Updates will not be issued automatically. This information is not intended to have any legal effect, whether by way of advice, representation or warranty (express or implied). We accept no liability whatsoever (to the extent permitted by law) if you place any reliance on this publication you must do so at your own risk. All rights reserved. Copyright in this publication belongs to Polypipe Italia and all such copyright may not be used, sold, copied or reproduced in whole or part in any manner in any media to any person without prior consent. **EFFAST** is a registered trademark."